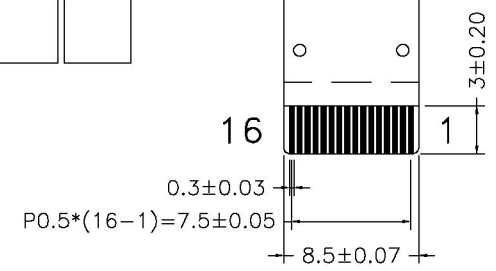
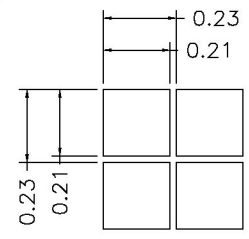
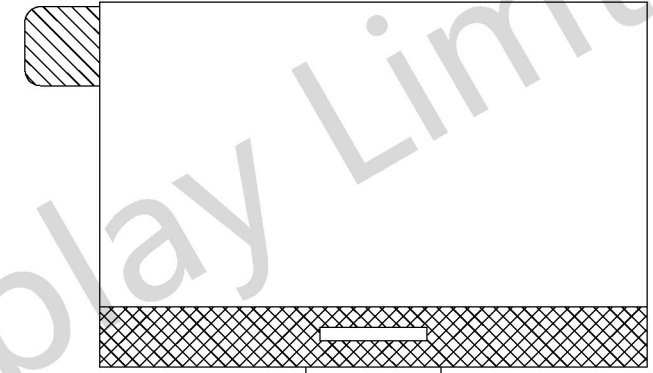
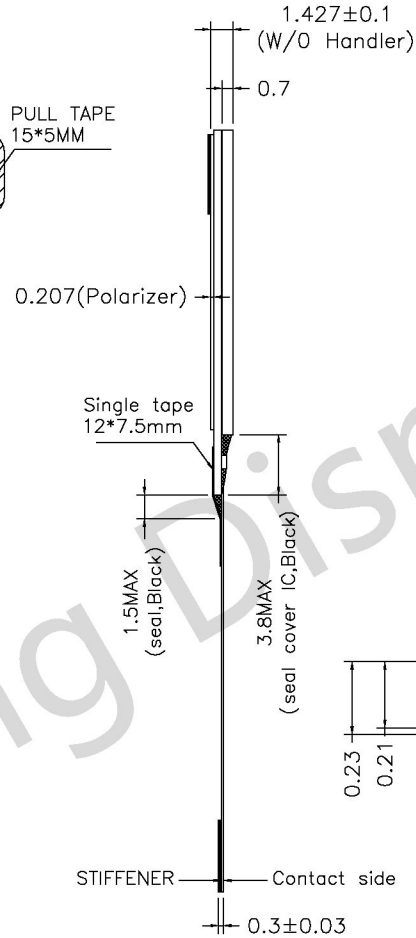
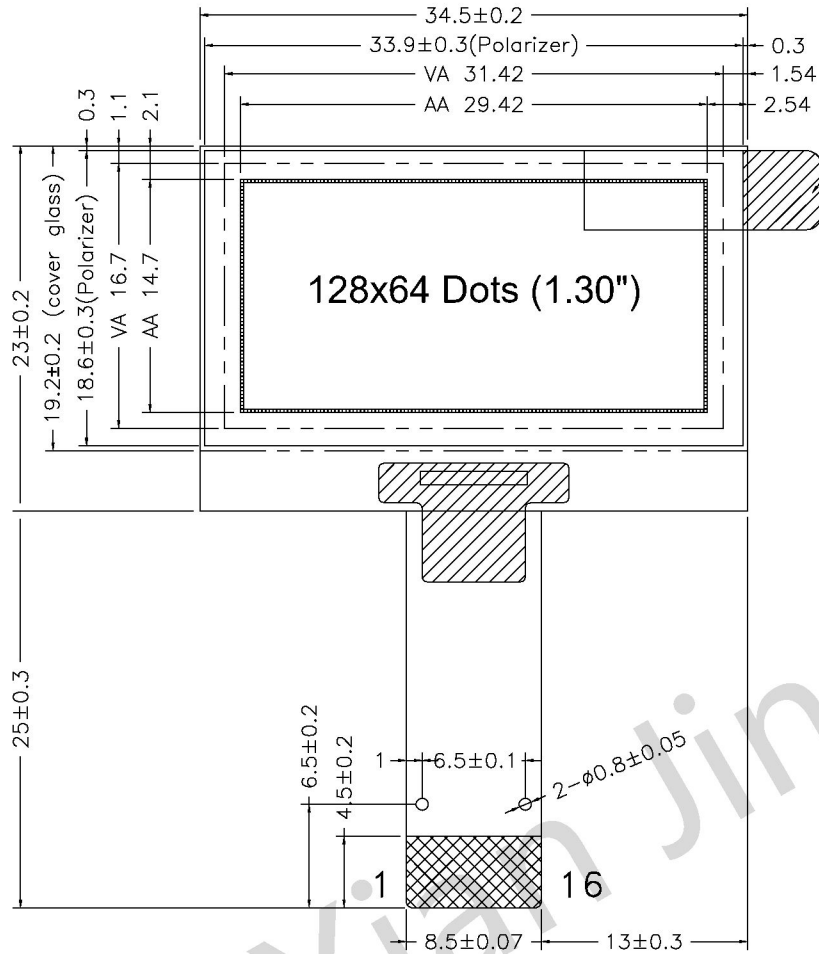


All Pages Of This Edition Approved

Signature:

Date:

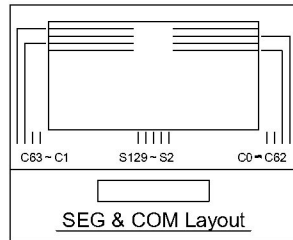
REV.	DESCRIPTION	REVISER	DATE
A0	First	luojinwei	2017-11-21



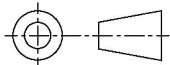
PIN	SYMBOL
1	C2P
2	C2N
3	C1P
4	C1N
5	VBAT
6	VSS
7	VDD
8	CS#
9	RES#
10	D/C#
11	SCLK
12	SDIN
13	IREF
14	VCOMH
15	VCC
16	VSS

Specifications:

1. Display : OLED(White).
2. Dot Matrix: 128\*64
3. Dot Size: 0.21\*0.21mm
4. Dot Pitch: 0.23\*0.23mm
5. Aperture Rate: 83.3%
6. Active Area : 29.42\*14.7mm
7. Drive IC: SH1106G
8. FPC P/N: FPC-HP12864-24-A0



 深圳市华显晶显示技术有限公司  
HUA XIAN JING Display Limited www.huaxianjing.com

Unspecified Tolerance:	±0.20	UNITS: mm	DATE:	MODEL NUMBER :		SHEET:	1 OF 1
DESIGN BY:	luojinwei	2017-11-21	HP12864-24-KHWG16P130-A	SCALE:		1 : 1	
CHECKED BY:			DO NOT SCALE THIS DRAWING.	PROJECTION			
APPROVED BY:							