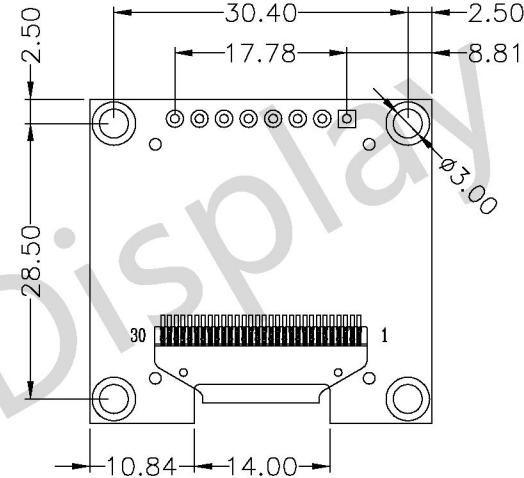
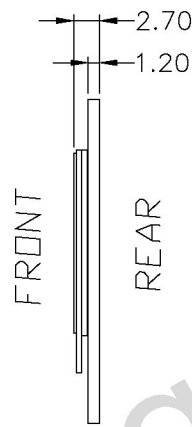
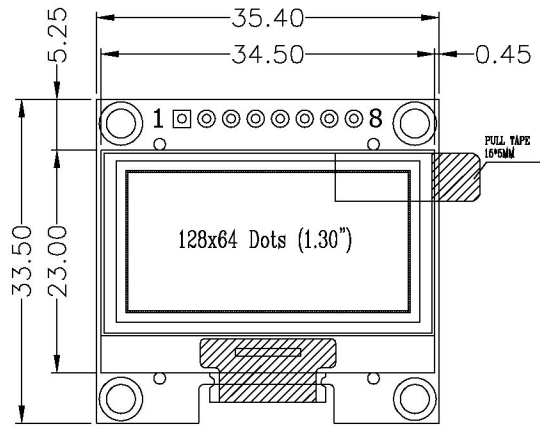


All Pages Of This Edition Approved

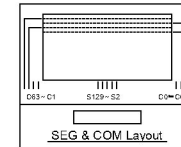
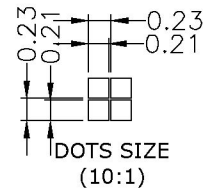
Signature: _____

Date: _____

REV.	DESCRIPTION	REVISER	DATE
A0	New Release	Liu Gong	2018-3-16



PIN	SYMBOL
1	GND
2	VCC
3	CLK
4	MOSI
5	DC
6	CS1
7	FS0
8	CS2



Specifications:

1. Display : OLED(White).
2. Drive Method: VCC=3.3V~4.2V
3. Dot Matrix: 128*64
4. Dot Size: 0.21*0.21mm
5. Dot Pitch: 0.23*0.23mm
6. Aperture Rate: 83.3%
7. Active Area : 29.42*14.7mm
8. Drive IC: SH1106G & GT20L16S1Y
9. Requirements On Environmental Protection: RoHS



深圳市华显晶显示技术有限公司

HUA XIAN JING Display Limited

www.huaxianjing.com

DESIGN BY:	NAME: Liu Gong	DATE: 2018-3-16	MODEL NUMBER : HP12864-46		SHEET: 1 OF 1
CHECKED BY:			DEFAULT UNITS: mm		NAME: OLED
APPROVED BY:				PROJECTION	