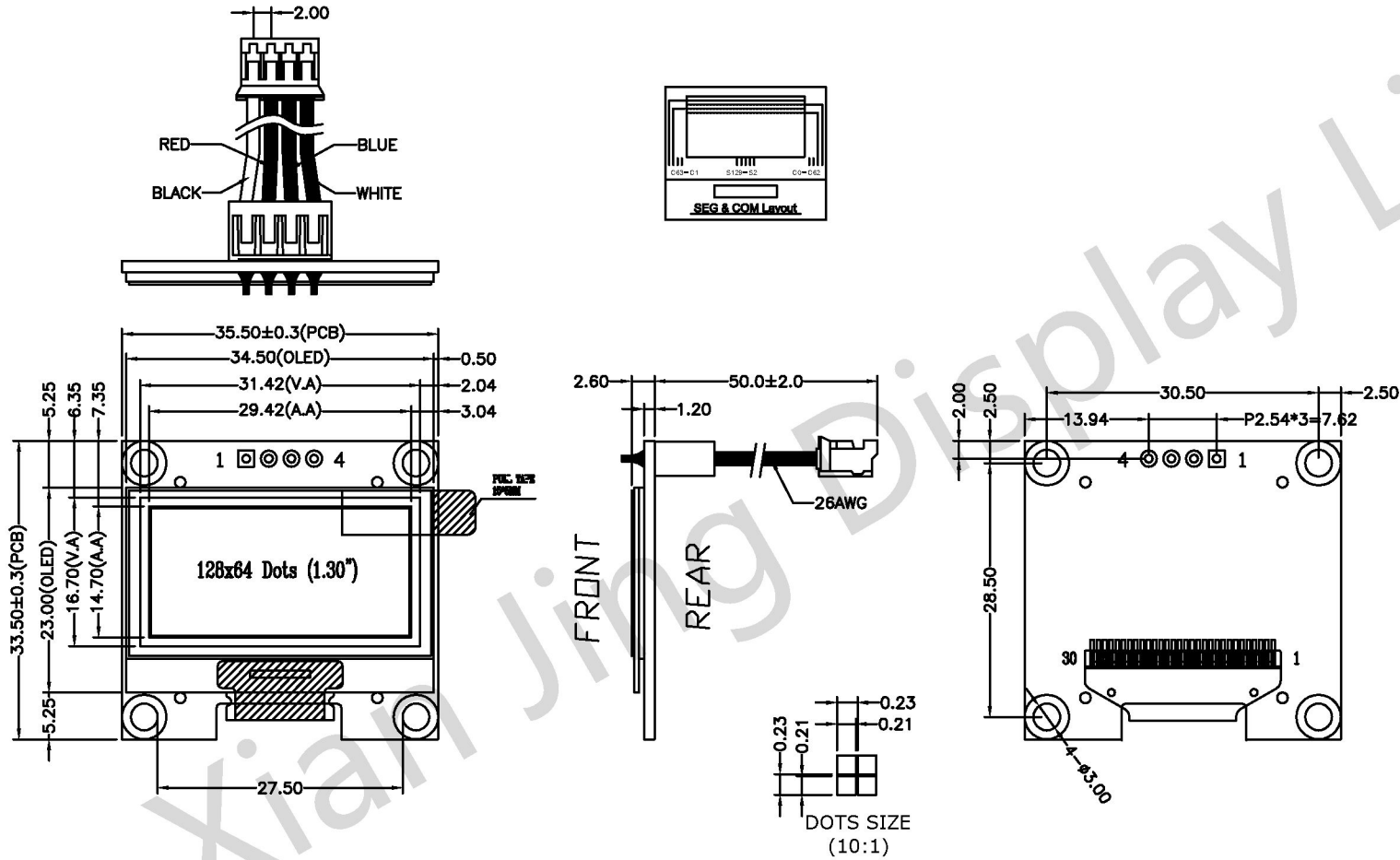


All Pages Of This Edition Approved

Signature: _____

Date: _____

REV.	DESCRIPTION	REVISER	DATE
A0	New Release	Liu Gong	2019-2-14
A1	参考客户样品增加连接器	Liu Gong	2019-2-21



PIN	SYMBOL
1	GND
2	VCC
3	SCL
4	SDA

IIC Address Select 0X78

Specifications:

1. Display : OLED(White).
3. Drive Method: VCC=3.3V~4.2V
4. Dot Matrix: 128*64
5. Dot Size: 0.21*0.21mm
6. Dot Pitch: 0.23*0.23mm
7. Aperture Rate: 83.3%
8. Active Area : 29.42*14.7mm
9. Drive IC: SH1106G
10. Requirements On Environmental Protection: RoHS



深圳市华显晶显示技术有限公司

HUA XIAN JING Display Limited

www.huaxianjing.com

NAME:	DATE:	MODEL NUMBER :	PROJECTION	SHEET:	1 OF 1
DESIGN BY: Liu Gong	2019-2-21	HP12864-96-KHWG4P130			
CHECKED BY:			NAME:	OLED	
APPROVED BY:		DEFAULT UNITS: mm			