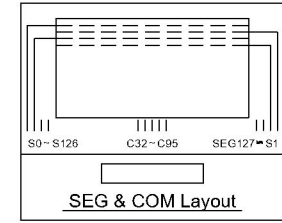
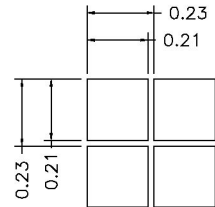
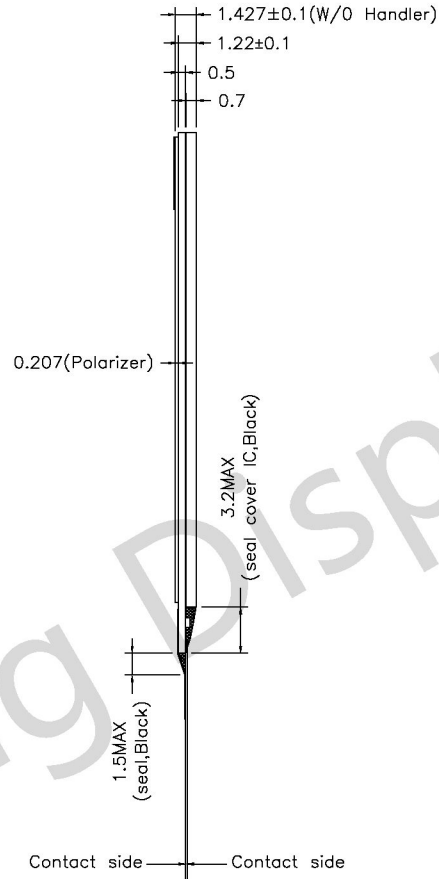
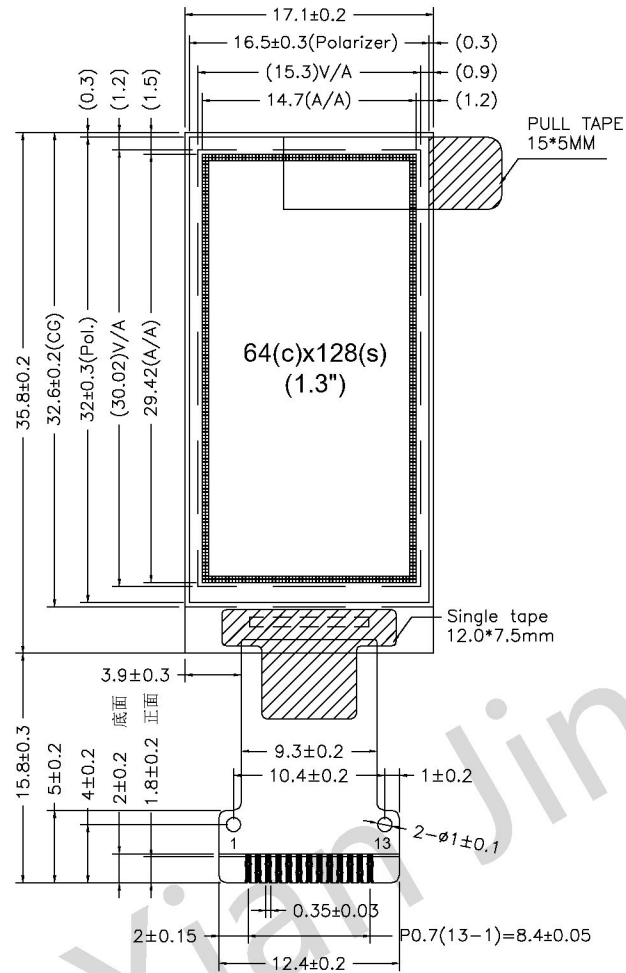


All Pages Of This Edition Approved

Signature: _____

Date: _____

REV.	DESCRIPTION	REVISER	DATE
A0	First	luojinwei	2017-12-11



PIN	SYMBOL
1	NC
2	VPP
3	VCOMH
4	VDD
5	IM1
6	IREF
7	CS
8	RES
9	A0
10	D0
11	D1
12	VSS
13	NC

Specifications:

1. Display : OLED(White).
2. Dot Matrix: 64*128
3. Dot Size: 0.21*0.21mm
4. Dot Pitch: 0.23*0.23mm
5. Aperture Rate: 83%
6. Active Area : 14.7*29.42mm
7. Drive IC: SH1107
8. FPC P/N: FPC-HP64128-09-A0



深圳市华显晶显示技术有限公司

HUA XIAN JING Display Limited

www.huaxianjing.com

Unspecified Tolerance:	±0.20	UNITS: mm	DATE:	MODEL NUMBER :		SHEET:	1 OF 1
DESIGN BY:	luojinwei	2017-12-11	HP64128-09-KHWG13P130-A	SCALE:		1 : 1	
CHECKED BY:			DO NOT SCALE THIS DRAWING.	PROJECTION			
APPROVED BY:							