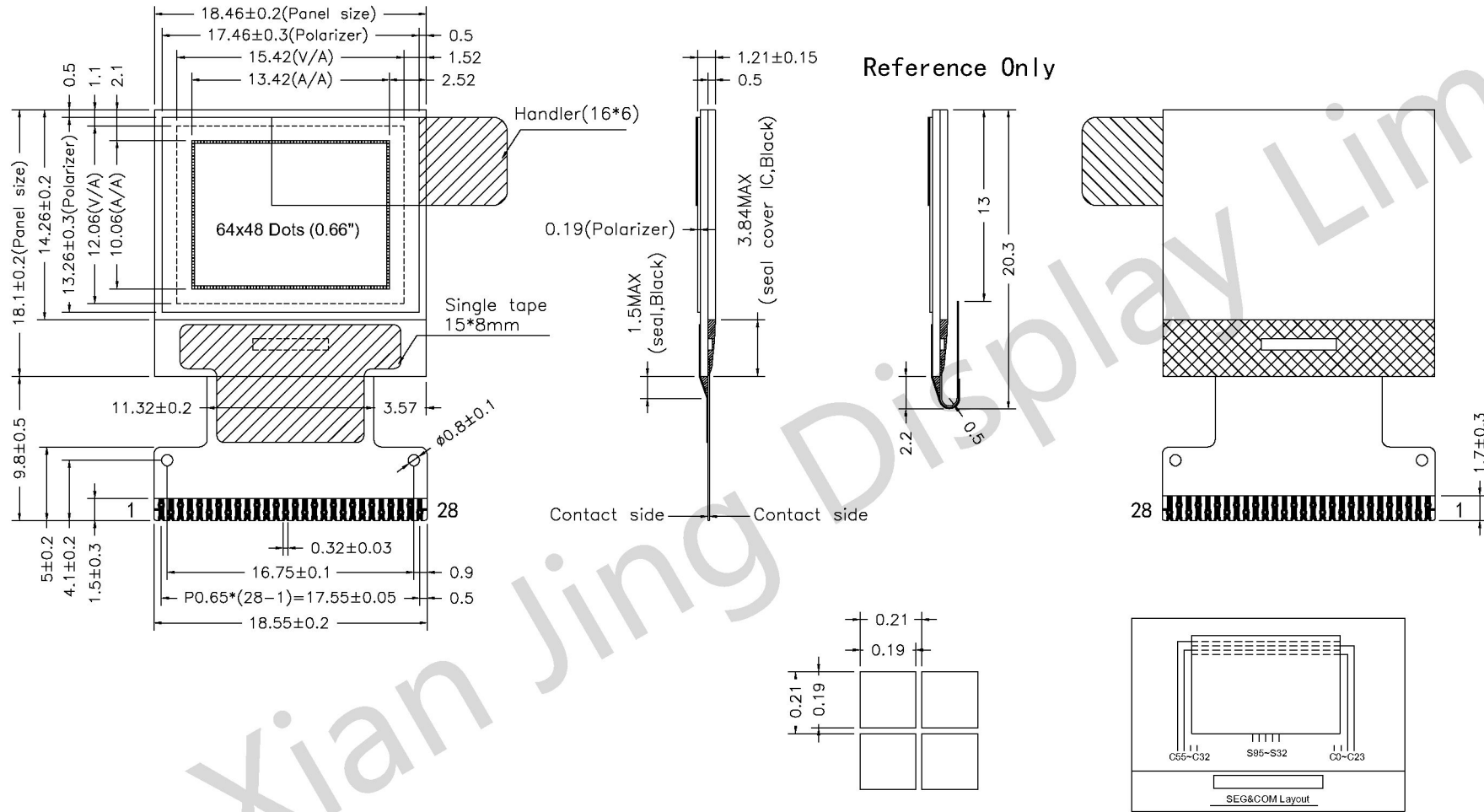


All Pages Of This Edition Approved

Signature:

Date:

REV.	DESCRIPTION	REVISER	DATE
A0	First	luoyu	2017-08-29



Reference Only

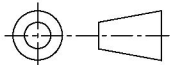
PIN	SYMBOL
1	N.C.(GND)
2	C2P
3	C2N
4	C1P
5	C1N
6	VBAT
7	VSS
8	VDD
9	BS1
10	BS2
11	CS#
12	RES#
13	D/C#
14	R/W#
15	E/RD#
16	D0
17	D1
18	D2
19	D3
20	D4
21	D5
22	D6
23	D7
24	IREF
25	VCOMH
26	VCC
27	VLSS
28	NC(GND)

Specifications:

1. Display : OLED(White).
2. Dot Matrix: 64\*48
3. Dot Size: 0.19\*0.19mm
4. Dot Pitch: 0.21\*0.21mm
5. Aperture Rate: 81.8%
6. Active Area : 13.42\*10.06mm
7. Drive IC: SSD1306BZ
8. With " \* " Mark Dimensions Are Important Dimensions.

 深圳市华显晶显示技术有限公司  
HUA XIAN JING Display Limited

www.huaxianjing.com

Unspecified Tolerance:	±0.20	UNITS: mm	DATE:	MODEL NUMBER :		SHEET:	1 OF 1
DESIGN BY:	luoyu	2017-08-29	HP6448-00-TSWG28P066-A	DO NOT SCALE THIS DRAWING.		SCALE:	1 : 1
CHECKED BY:	luojinwei	2017-08-29					
APPROVED BY:							