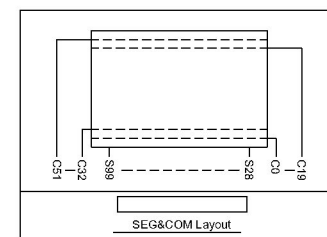
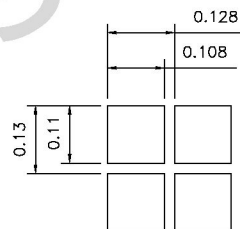
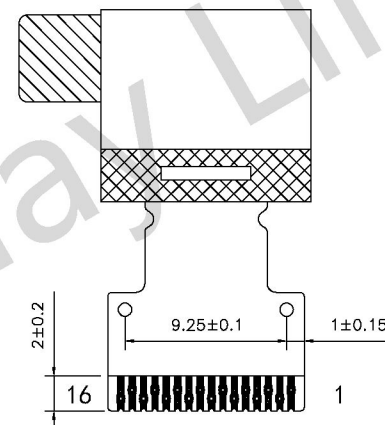
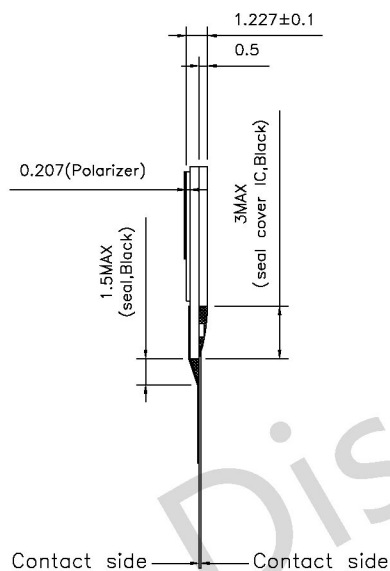
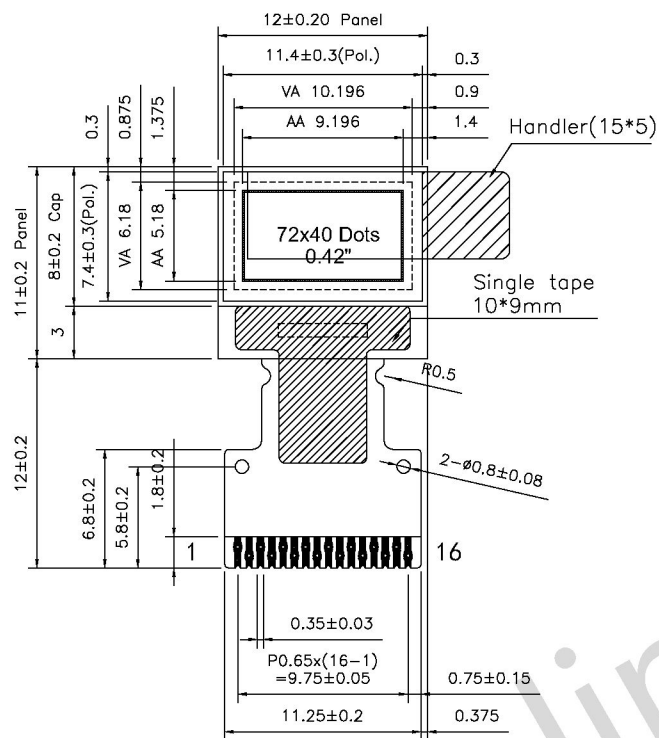


All Pages Of This Edition Approved

Signature:

Date:

REV.	DESCRIPTION	REVISER	DATE
A0	First	luojinwei	2021-06-19



PIN	SYMBOL
1	C2P
2	C2N
3	C1P
4	C1N
5	VBAT
6	VSS
7	VDD
8	BS1
9	CS#
10	RES#
11	D/C#
12	SCLK(D0)
13	SDIN(D1,D2)
14	NC
15	VCOMH
16	VCC

Specifications:

1. Display : OLED(White).
2. Dot Matrix: 72*40
3. Dot Size: 0.108*0.11mm
4. Dot Pitch: 0.128*0.13mm
5. Aperture Rate: 71%
6. Active Area : 9.196*5.18mm
7. Drive IC: SSD1315
8. FPC P/N: FPC-HP7240-30-A0 .



深圳市华显晶显示技术有限公司

HUA XIAN JING Display Limited

www.huaxianjing.com

Unspecified Tolerance:	±0.20	UNITS: mm	DATE:	MODEL NUMBER :		SHEET:	1 OF 1
DESIGN BY:	luojinwei		2021-06-19	HP7240-30-TSWG16P042B-A		SCALE:	1 : 1
CHECKED BY:							
APPROVED BY:				DO NOT SCALE THIS DRAWING.	PROJECTION		