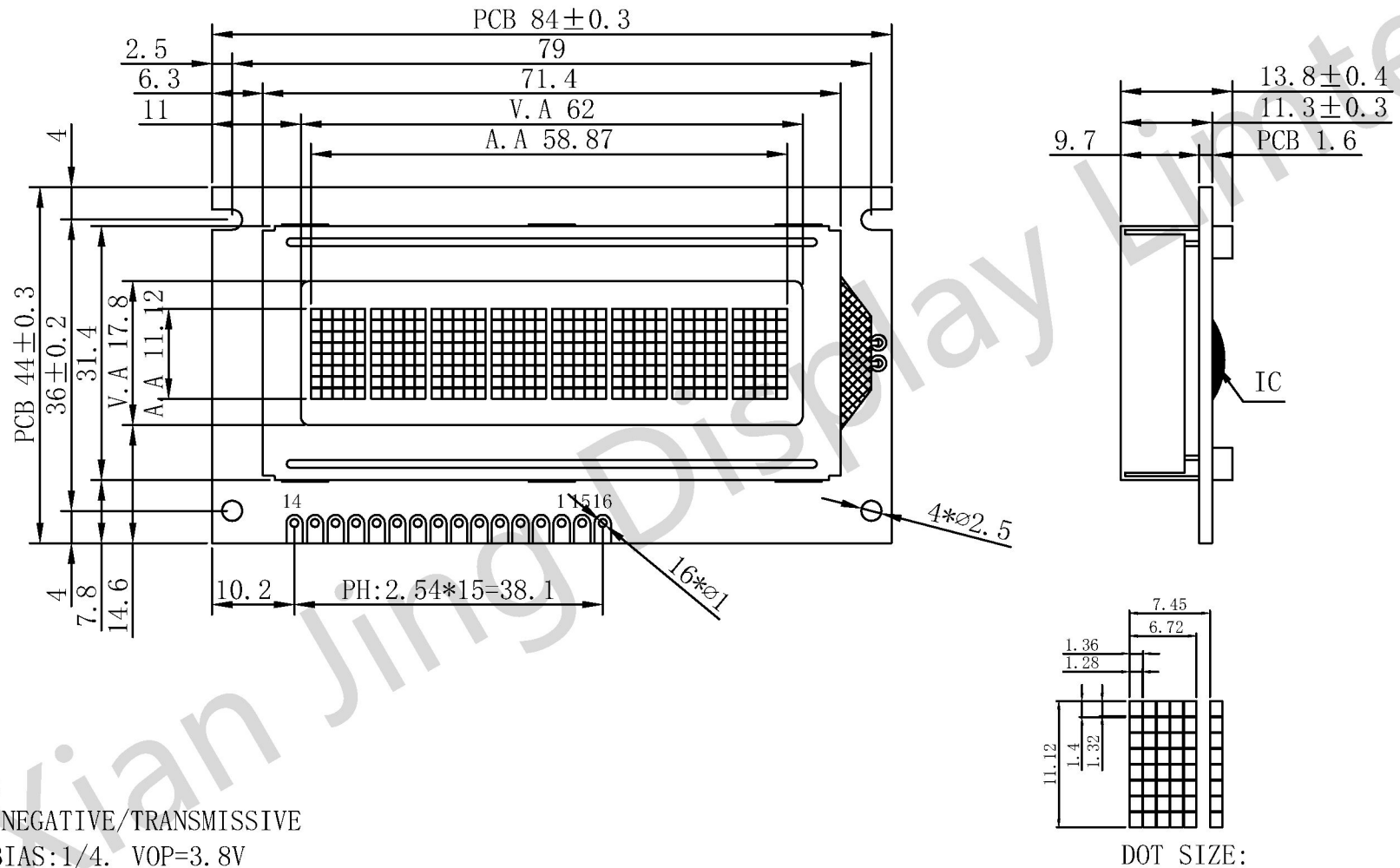


INTERFACE	
1	VSS
2	VDD(5V)
3	V0
4	RS
5	RW
6	E
7	DB0
8	DB1
9	DB2
10	DB3
11	DB4
12	DB5
13	DB6
14	DB7
15	LED-A(5V)
16	LED-K

VER	DETIAL DISCRPTION	DATE
00	FIRST ISSUE	2011-7-11



SPECIFICATION:

- 1). STN(BLUE) /NEGATIVE/TRANSMISSIVE
- 2). DUTY:1/8. BIAS:1/4. VOP=3.8V
- 3). VIEWING ANGLE: 6 O' CLOCK
- 4). OPERATING TEMPERATURE: -20~70°C
STORAGE TEMPERATURE: -30~80°C
- 5). BACKLIGHT: WHITE I=20MA
- 6). DRIVE IC: AIP31066
- 7). DRIVE POWER: VDD=5.0V

 深圳市华显晶显示技术有限公司 HUA XIAN JING Display Limited				www.huaxianjing.com	
Unspecified Tolerance:	± 0.20	UNITS: mm	DATE:	MODE NUMBER :	
DESIGN BY:	WZQ		2011/7/11	HSM0801B	
CHECKED BY:				 PROJECTION	
CUSTOM NO:					
				SHEET:	1 Of 1