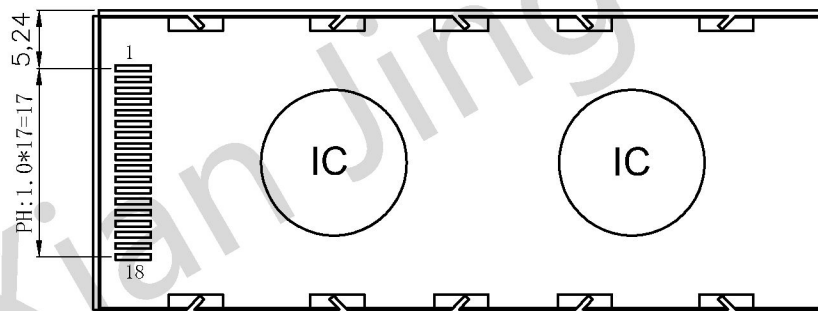
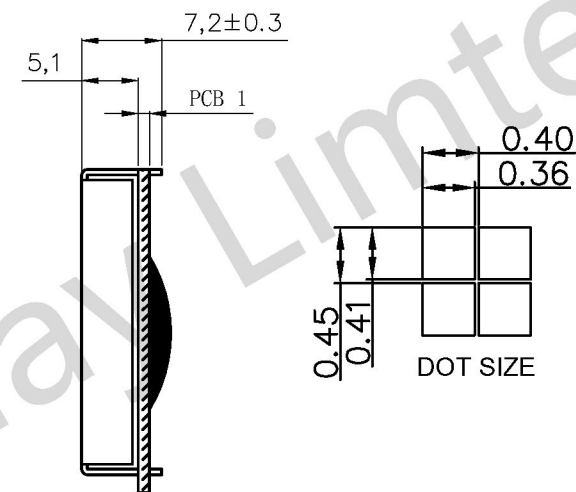
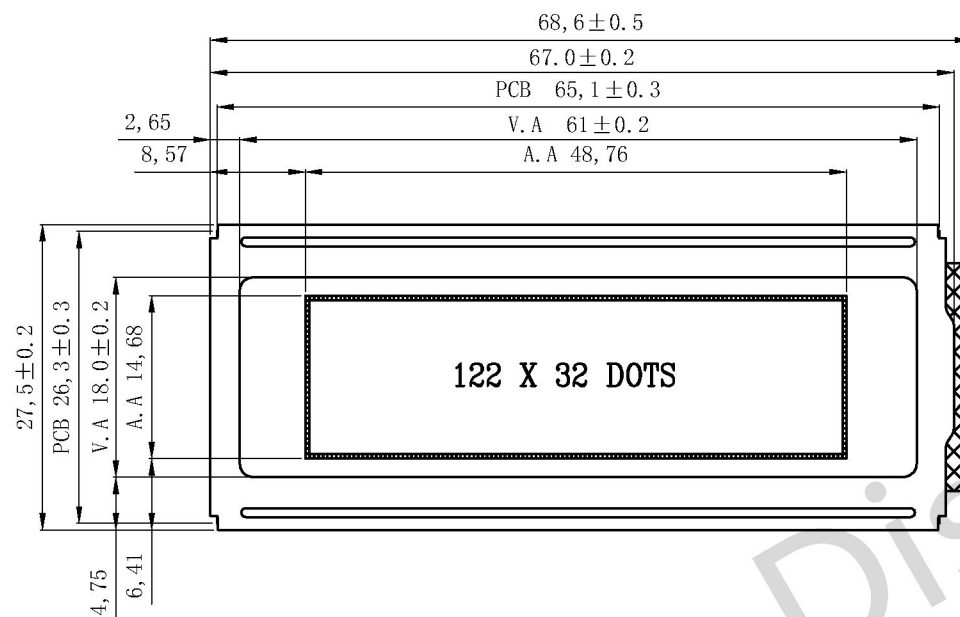


INTERFACE	
1	VDD(5V)
2	VSS
3	V0
4	RST
5	E1
6	E2
7	R/W
8	RS
9	DB0
10	DB1
11	DB2
12	DB3
13	DB4
14	DB5
15	DB6
16	DB7
17	LED-K
18	LED-A(5V)

VER	DETIAL DISCRPTION	DATE
00	FIRST ISSUE	2011-9-23



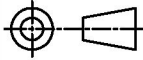
SPECIFICATION:

- 1). STN (Y-G) / POSITIVE / TRANSFLECTIVE
- 2). DUTY: 1/32. BIAS: 1/5. VOP=5.0V
- 3). VIEWING ANGLE: 6 O' CLOCK
- 4). OPERATING TEMPERATURE: $-10 \sim 60^{\circ}\text{C}$
STORAGE TEMPERATURE: $-20 \sim 70^{\circ}\text{C}$
- 5). BACKLIGHT: Y-G I=40MA
- 6). DRIVE IC: SBN1661G
- 7). DRIVE POWER: VDD=5.0V



深圳市华显晶显示技术有限公司

HUA XIAN JING Display Limited www.huaxianjing.com

Unspecified Tolerance:	± 0.20	UNITS: mm	DATE:	MODE NUMBER :		SHEET:	1 of 1
DESIGN BY:	WZQ	2011/9/23	HSM12232A	DATE:		2011/9/23	
CHECKED BY:				DO NOT SCALE THIS DRAWING.	PROJECTION		
CUSTOM NO:							