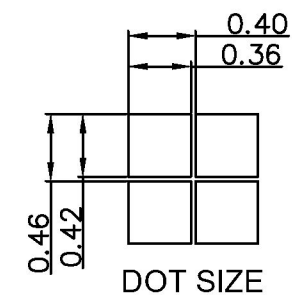
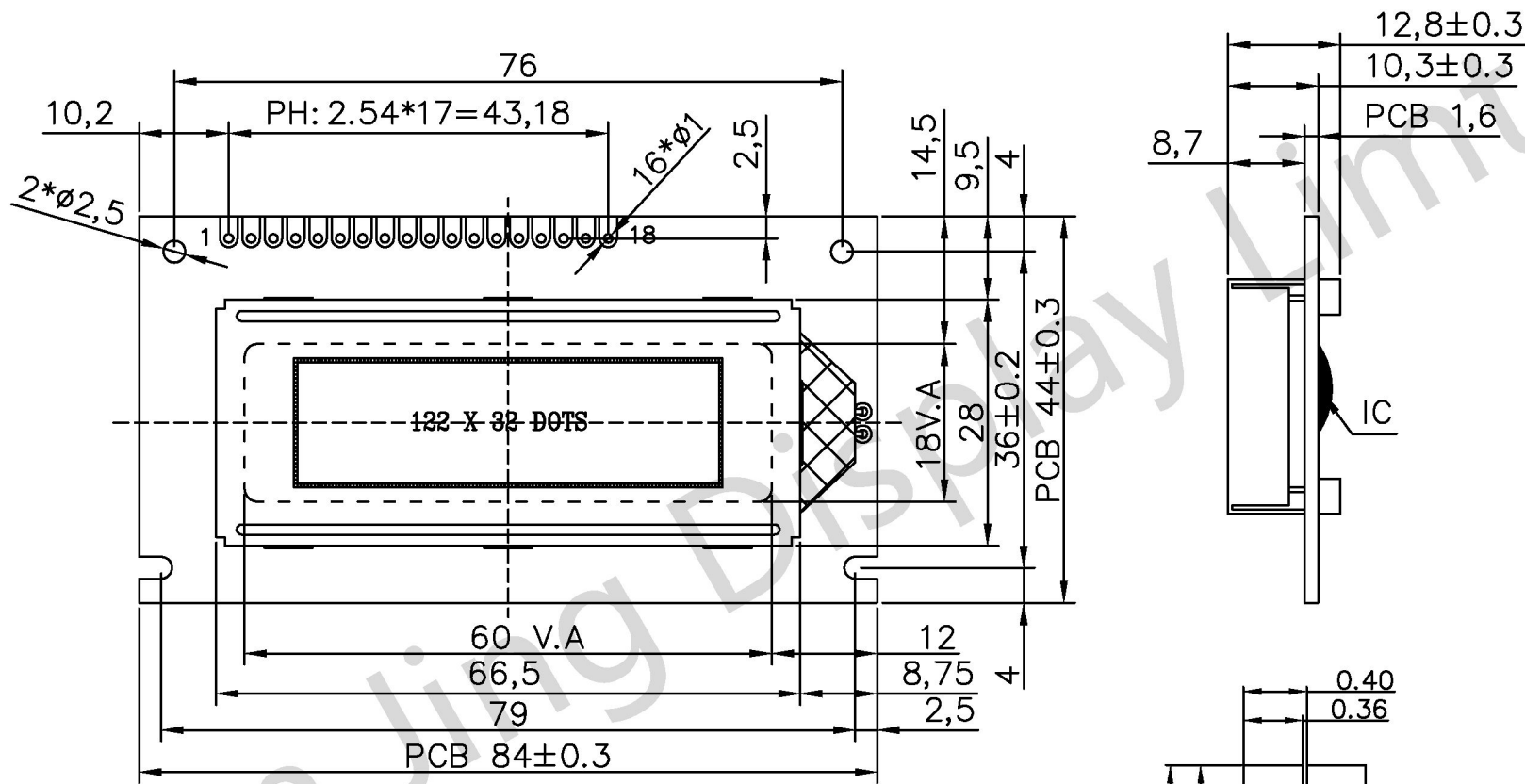


INTERFACE	
1	VDD(5V)
2	VSS
3	V0
4	RST
5	E1
6	E2
7	R/W
8	RS
9	DB0
10	DB1
11	DB2
12	DB3
13	DB4
14	DB5
15	DB6
16	DB7
17	LED-A(5V)
18	LED-K

VER	DETIAL DISCRPTION	DATE
00	FIRST ISSUE	2011-7-23



SPECIFICATION:

- 1). STN (BLUE) /NEGATIVE/TRANSMISSIVE
- 2). DUTY:1/32. BIAS:1/5. VOP=5.0V
- 3). VIEWING ANGLE: 6 O' CLOCK
- 4). OPERATING TEMPERATURE: -10~60°C
STORAGE TEMPERATURE: -20~70°C
- 5). BACKLIGHT: WHITE I=20MA
- 6). DRIVE IC: SED1520
- 7). DRIVE POWER: VDD=5.0V



深圳市华显晶显示技术有限公司

HUA XIAN JING Display Limited www.huaxianjing.com

Unspecified Tolerance:	± 0.20	UNITS: mm	DATE:	MODE NUMBER :		SHEET:	1 Of 1
DESIGN BY:	WZQ	2011/7/23		HSM12232B		DATE:	2011/7/23
CHECKED BY:					DO NOT SCALE THIS DRAWING.	PROJECTION	
CUSTOM NO:							