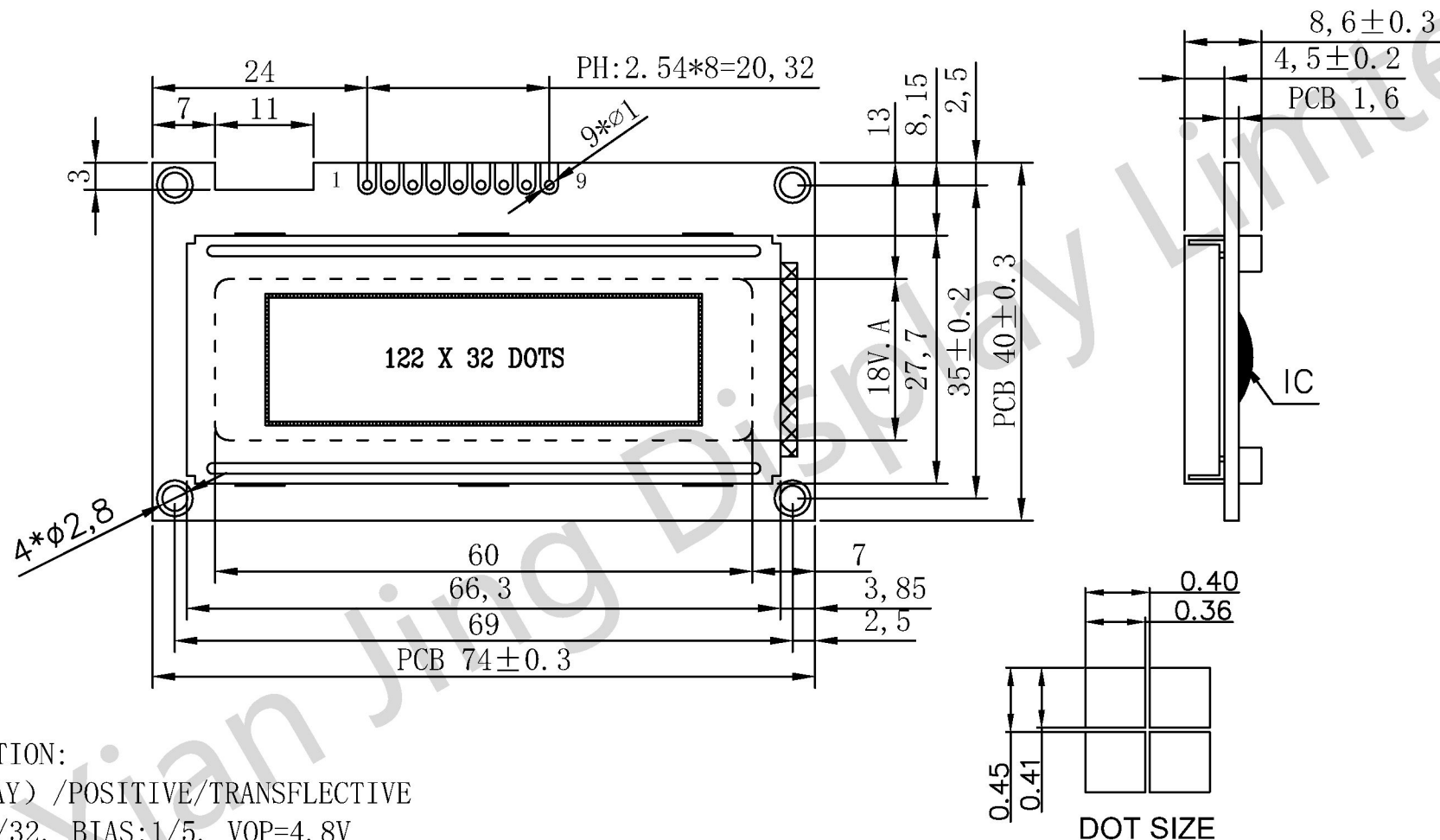


INTERFACE:	
1	VSS
2	VDD(5V)
3	CS
4	SID
5	SCLK
6	FG / V0
7	/RST
8	LED-A(5V)
9	LED-K

VER	DETIAL DISCRPTION	DATE
00	FIRST ISSUE	2012-3-9



SPECIFICATION:

- 1). STN(GRAY) /POSITIVE/TRANSFLECTIVE
- 2). DUTY:1/32. BIAS:1/5. VOP=4.8V
- 3). VIEWING ANGLE: 6 O' CLOCK
- 4). OPERATING TEMPERATURE: -20~70°C
STORAGE TEMPERATURE: -30~80°C
- 5). BACKLIGHT: WHITE I=40MA
- 6). DRIVE IC: ST7920
- 7). DRIVE POWER: VDD=5.0V



深圳市华显晶显示技术有限公司

HUA XIAN JING Display Limited www.huaxianjing.com

Unspecified Tolerance:	± 0.20	UNITS: mm	DATE:	MODE NUMBER :		SHEET:	1 of 1
DESIGN BY:	WZQ		2012/3/9	HSM12232D		DATE:	2012/3/9
CHECKED BY:					DO NOT SCALE THIS DRAWING.	PROJECTION	
CUSTOM NO:							