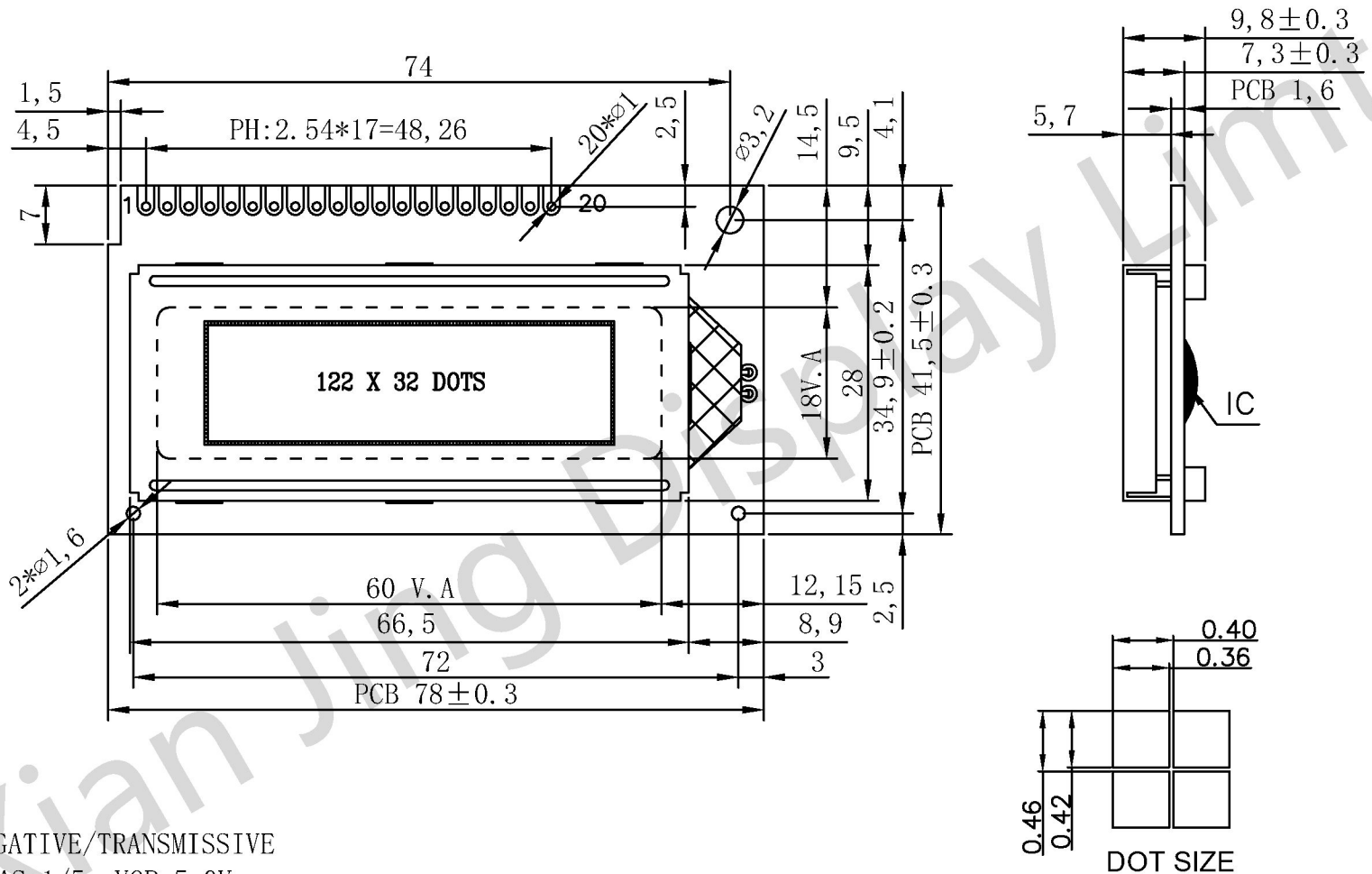


INTERFACE	
1	VSS
2	VDD(5V)
3	V0
4	C/D
5	CS1
6	CS2
7	CL
8	E
9	R/W
10	DB0
11	DB1
12	DB2
13	DB3
14	DB4
15	DB5
16	DB6
17	DB7
18	RST
19	LED-A(5V)
20	LED-K

VER	DETIAL DISCRPTION	DATE
00	FIRST ISSUE	2012-5-16



SPECIFICATION:

- 1). STN (BLUE) /NEGATIVE/TRANSMISSIVE
- 2). DUTY: 1/32. BIAS: 1/5. VOP=5.0V
- 3). VIEWING ANGLE: 6 O' CLOCK
- 4). OPERATING TEMPERATURE: -20~70°C
STORAGE TEMPERATURE: -30~80°C
- 5). BACKLIGHT: WHITE I=20MA
- 6). DRIVE IC: SED1520
- 7). DRIVE POWER: VDD=5.0V



深圳市华显晶显示技术有限公司

HUA XIAN JING Display Limited www.huaxianjing.com

Unspecified Tolerance:	± 0.20	UNITS: mm	DATE:	MODE NUMBER :		SHEET:	1 Of 1
DESIGN BY:	WZQ	2012/5/16		HSM12232E		DATE:	2012/5/16
CHECKED BY:					DO NOT SCALE THIS DRAWING.	PROJECTION	
CUSTOM NO:							