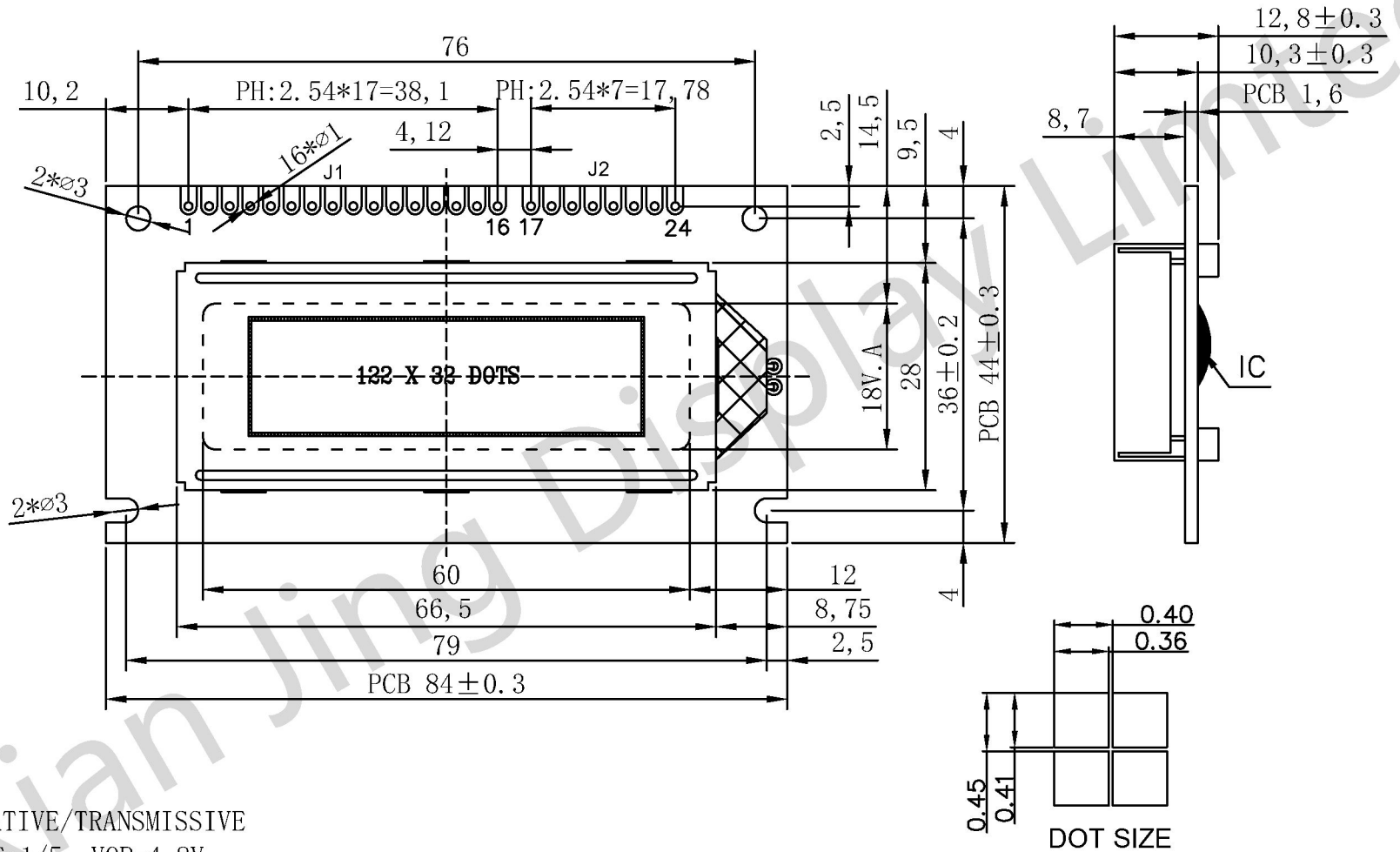


INTERFACE:			
J1(并口)		J2(串口)	
1	VSS	17	VSS
2	VDD(5V)	18	VDD(5V)
3	VO	19	VO
4	RS	20	SCLK
5	/RW	21	SID
6	E	22	CS
7	DB0	23	LED-A(5V)
8	DB1	24	LED-K
9	DB2		
10	DB3		
11	DB4		
12	DB5		
13	DB6		
14	DB7		
15	LED-A(5V)		
16	LED-K		

VER	DETIAL DISCRPTION	DATE
00	FIRST ISSUE	2011-7-29



SPECIFICATION:

- 1). STN(BLUE) /NEGATIVE/TRANSMISSIVE
- 2). DUTY:1/32. BIAS:1/5. VOP=4.8V
- 3). VIEWING ANGLE: 6 O' CLOCK
- 4). OPERATING TEMPERATURE: -10~60°C
STORAGE TEMPERATURE: -20~70°C
- 5). BACKLIGHT: WHITE I=20MA
- 6). DRIVE IC: ST7920
- 7). DRIVE POWER: VDD=5.0V



深圳市华显晶显示技术有限公司

HUA XIAN JING Display Limited www.huaxianjing.com

Unspecified Tolerance:	± 0.20	UNITS: mm	DATE:	MODE NUMBER :		SHEET:	1 Of 1
DESIGN BY:	WZQ	2011/7/29	HSM12232F	DATE:		2011/7/29	
CHECKED BY:				DO NOT SCALE THIS DRAWING.	PROJECTION		
CUSTOM NO:							