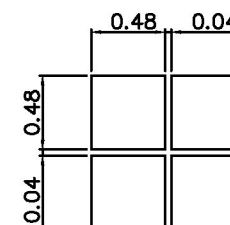
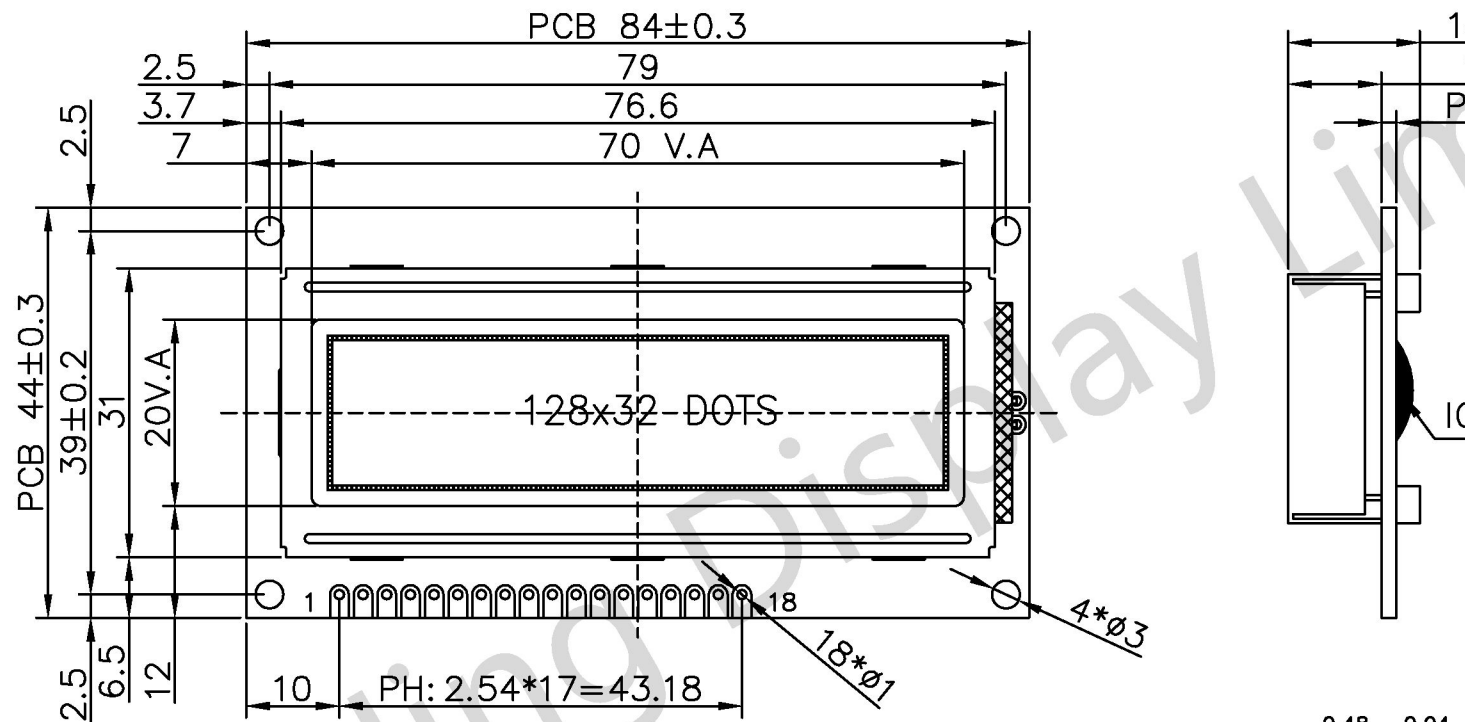


INTERFACE	
1	VSS
2	VDD(5V)
3	V0
4	RS(CS)
5	RW(SID)
6	E(SCLK)
7	DB0
8	DB1
9	DB2
10	DB3
11	DB4
12	DB5
13	DB6
14	DB7
15	PSB
16	/RST
17	LED-A(5V)
18	LED-K

VER	DETIAL DISCRPTION	DATE
00	FIRST ISSUE	2012-2-17



DOT SIZE:

SPECIFICATION:

- 1). STN(Y-G) /POSITIVE/TRANSFLECTIVE
- 2). DUTY:1/32. BIAS:1/6. VOP=5.0V
- 3). VIEWING ANGLE: 6 0' CLOCK
- 4). OPERATING TEMPERATURE: -20~70°C
STORAGE TEMPERATURE: -30~80°C
- 5). BACKLIGHT: Y-G I=40MA
- 6). DRIVE IC: ST7920
- 7). DRIVE POWER: VDD=5.0V



深圳市华显晶显示技术有限公司

HUA XIAN JING Display Limited www.huaxianjing.com

Unspecified Tolerance:	± 0.20	UNITS: mm	DATE:	MODE NUMBER :		SHEET:	1 of 1
DESIGN BY:	WZQ		2012/2/17	HSM12832A		DATE:	2012/2/17
CHECKED BY:					DO NOT SCALE THIS DRAWING.	PROJECTION	
CUSTOM NO:							