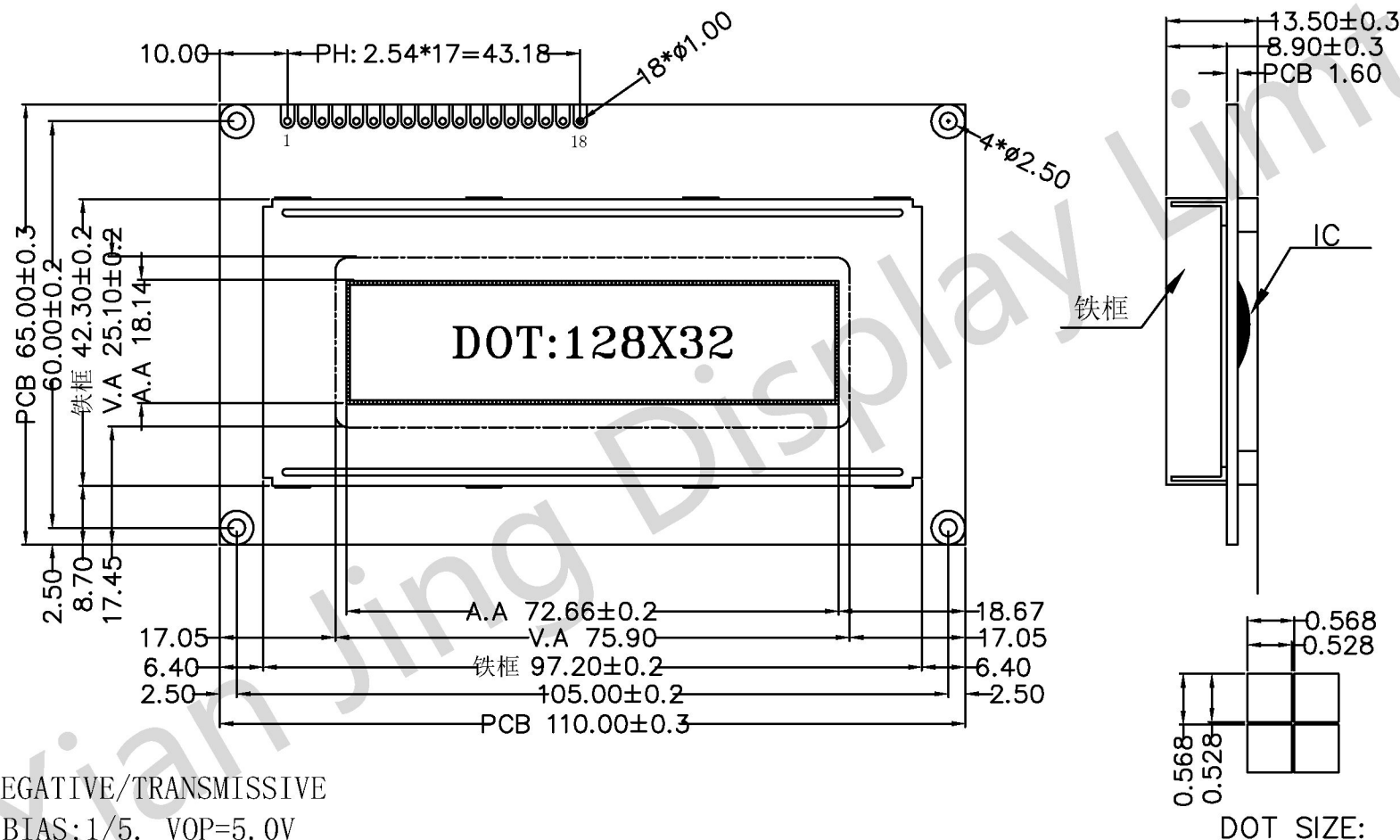


INTERFACE	
1	LED-A(5V)
2	LED-K
3	V0
4	VDD(5V)
5	VSS
6	E
7	RS
8	R/W
9	/CS
10	RST
11	DB0
12	DB1
13	DB2
14	DB3
15	DB4
16	DB5
17	DB6
18	DB7

VER	DETIAL DISCRPTION	DATE
00	FIRST ISSUE	2012-11-6



**SPECIFICATION:**

- 1). STN (BLUE) /NEGATIVE/TRANSMISSIVE
- 2). DUTY:1/32. BIAS:1/5. VOP=5.0V
- 3). VIEWING ANGLE: 6 O' CLOCK
- 4). DRIVE VOLTAGE: 5.0V
- 5). OPERATING TEMPERATURE: -10~60°C  
STORAGE TEMPERATURE: -20~70°C
- 6). BACKLIGHT: WHITE I=40MA
- 7). DRIVE IC: 0107, 0108

 <b>深圳市华显晶显示技术有限公司</b> <b>HUA XIAN JING Display Limited</b> www.huaxianjing.com		MODE NUMBER :			SHEET: 1 Of 1
		DESIGN BY: WZQ 2012/11/6			
UNSPECIFIED TOLERANCE: ±0.20		UNITS: mm	DATE:	DO NOT SCALE THIS DRAWING.	
CHECKED BY:		DATE:		2012/11/6	
CUSTOM NO:				PROJECTION	