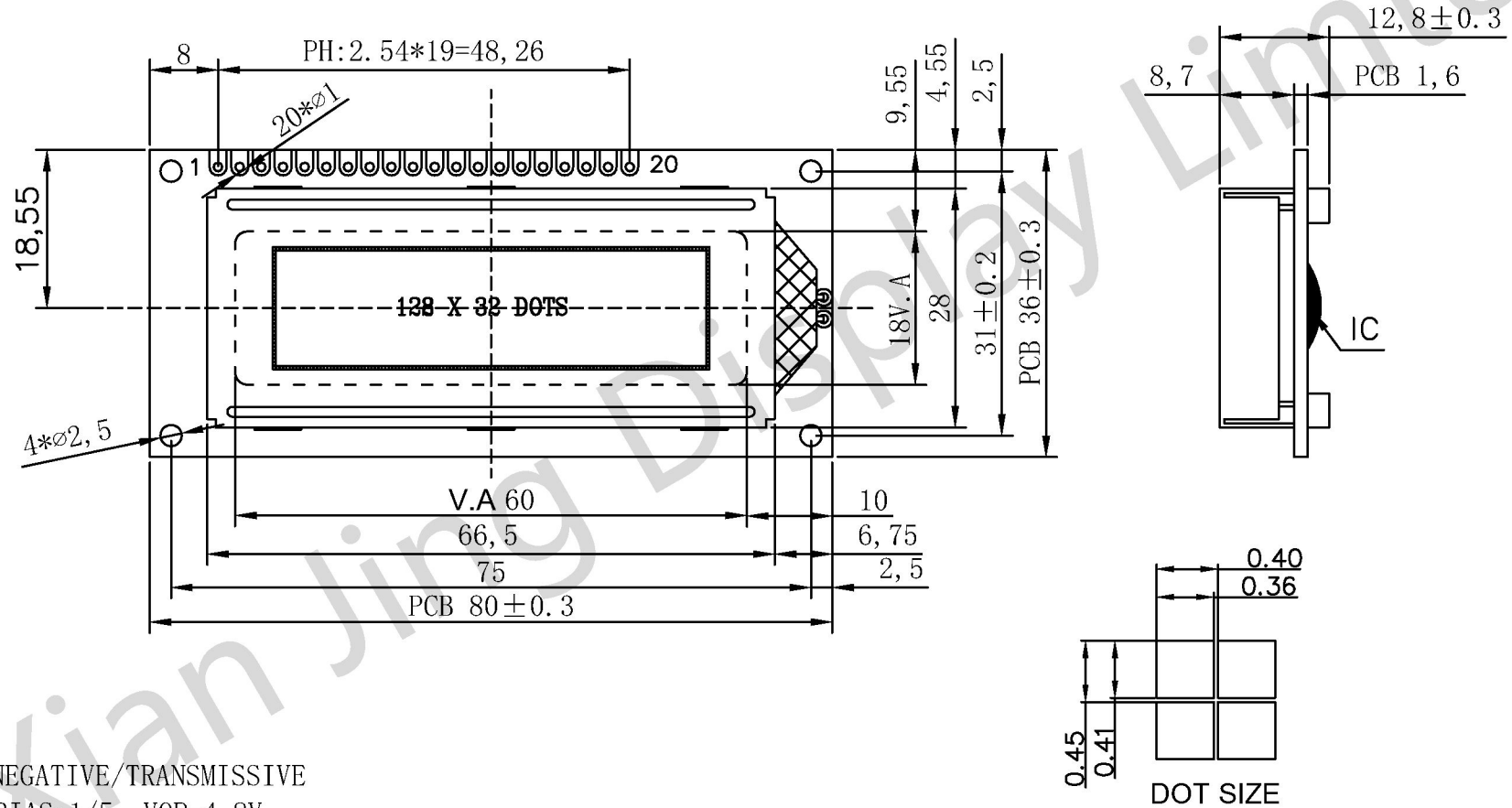


INTERFACE:	
1	VO
2	VR
3	VSS
4	VDD(5V)
5	N.C
6	RS(CS)
7	R/W(SID)
8	E(SCLK)
9	DB0
10	DB1
11	DB2
12	DB3
13	DB4
14	DB5
15	DB6
16	DB7
17	PSB
18	/RST
19	LED-A(5V)
20	LED-K

VER	DETIAL DISCRPTION	DATE
00	FIRST ISSUE	2012-11-24



SPECIFICATION:

- 1). STN(BLUE) /NEGATIVE/TRANSMISSIVE
- 2). DUTY:1/32. BIAS:1/5. VOP=4.8V
- 3). VIEWING ANGLE: 6 O' CLOCK
- 4). OPERATING TEMPERATURE: -10~60°C
STORAGE TEMPERATURE: -20~70°C
- 5). BACKLIGHT: WHITE I=20MA
- 6). DRIVE IC: ST7920
- 7). DRIVE POWER: VDD=5.0V



深圳市华显晶显示技术有限公司

HUA XIAN JING Display Limited www.huaxianjing.com

Unspecified Tolerance:	± 0.20	UNITS: mm	DATE:	MODE NUMBER :		SHEET:	1 of 1
DESIGN BY:	WZQ	2012/11/24	HSM12832C	DATE:		2012/11/24	
CHECKED BY:				DO NOT SCALE THIS DRAWING.	PROJECTION		
CUSTOM NO:							