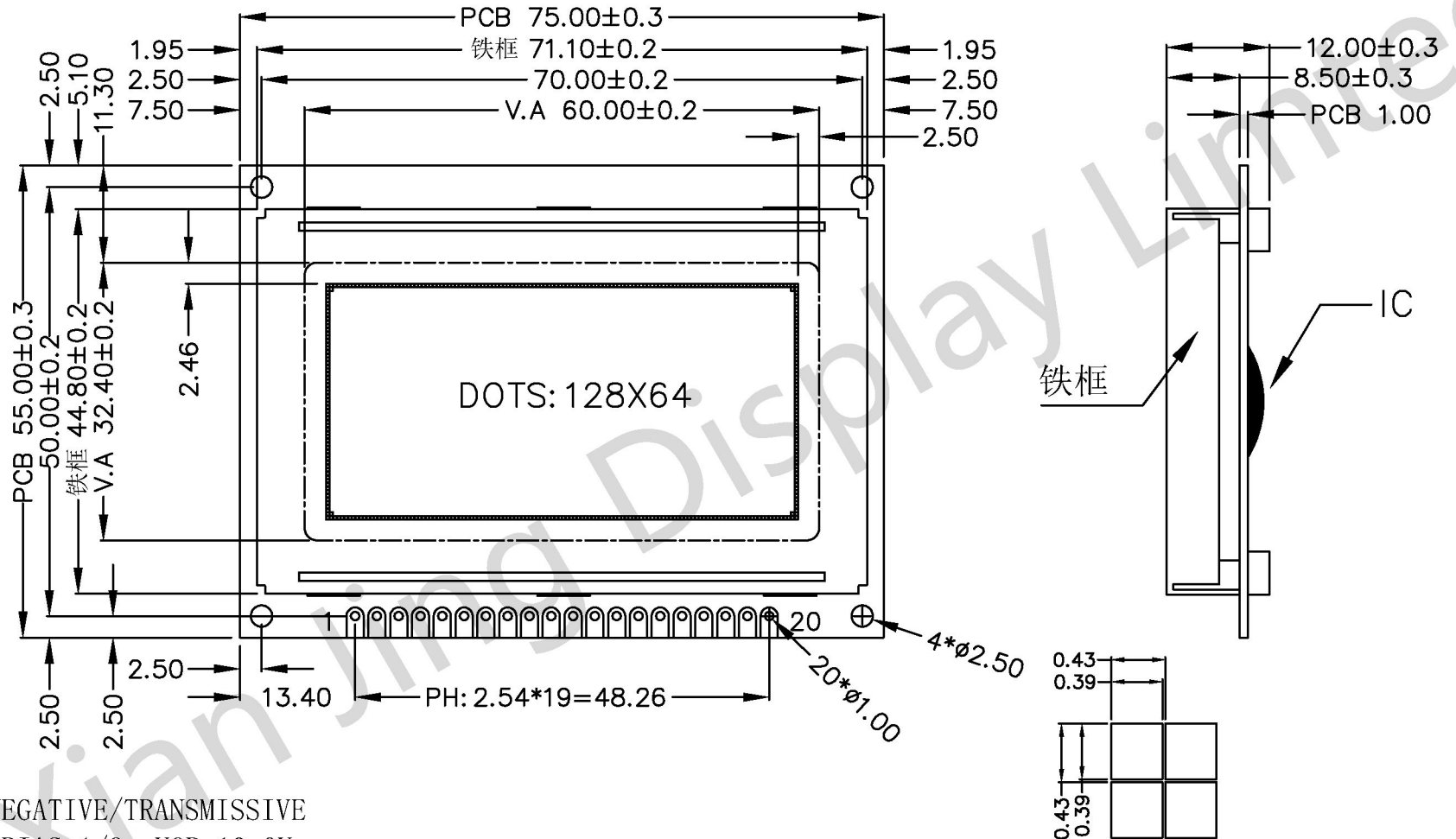


IF	SOMBLE
1	VDD(5V)
2	VSS
3	V0
4	DB0
5	DB1
6	DB2
7	DB3
8	DB4
9	DB5
10	DB6
11	DB7
12	CSA
13	CSB
14	RST
15	R/W
16	RS
17	E
18	VOUT
19	LED-K
20	LED-A(5V)

VER	DETIAL DISCRPTION	DATE
00	FIRST ISSUE	2011-11-22



SPECIFICATION:

- 1). STN (BLUE) / NEGATIVE / TRANSMISSIVE
- 2). DUTY: 1/64. BIAS: 1/9. VOP=10.0V
- 3). VIEWING ANGLE: 6 O' CLOCK
- 4). DRIVE VOLTAGE: 5.0V
- 5). OPERATING TEMPERATURE: -20~70°C
STORAGE TEMPERATURE: -30~80°C
- 6). BACKLIGHT: WHITE I=80MA
- 7). DRIVE IC: 0107, 0108

H 深圳市华显晶显示技术有限公司
HUA XIAN JING Display Limited www.huaxianjing.com

Unspecified Tolerance: ±0.20	UNITS: mm	DATE: 2011/11/22	MODE NUMBER: HSM12864A-18		SHEET: 1 of 1
DESIGN BY: WZQ	CHECKED BY:	CUSTOM NO:	DO NOT SCALE THIS DRAWING.		DATE: 2011/11/22