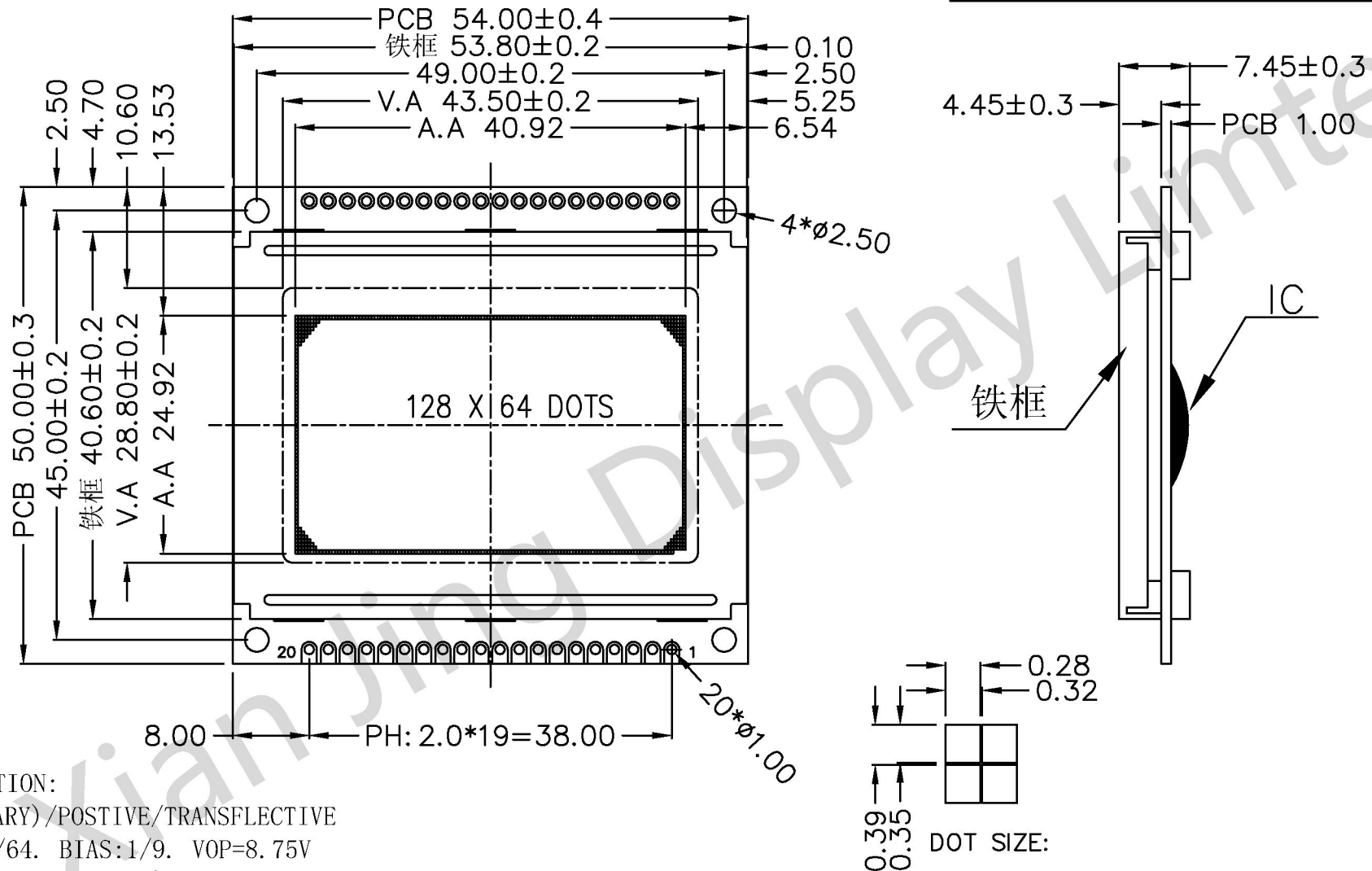


INTERFACE	
1	VSS
2	VDD
3	V0
4	RS
5	RW
6	E
7	DB0
8	DB1
9	DB2
10	DB3
11	DB4
12	DB5
13	DB6
14	DB7
15	CS1
16	CS2
17	RST
18	VEE
19	LED-A(+5V)
20	LED-K

VER	DETIAL DISCRIPTION	DATE
00	FIRST ISSUE	2011-8-20



SPECIFICATION:

- 1). FSTN(GARY)/POSTIVE/TRANSFLECTIVE
- 2). DUTY:1/64. BIAS:1/9. VOP=8.75V
- 3). VIEWING ANGLE: 6 0' CLOCK
- 4). DRIVE VOLTAGE: 5.0V
- 5). OPERATING TEMPERATURE: -20~70°C
STORAGE TEMPERATURE: -30~80°C
- 6). BACKLIGHT: WHITE I=60MA
- 7). DRIVE IC: 0108, 0107



深圳市华显晶显示技术有限公司

HUA XIAN JING Display Limited www.huaxianjing.com

Unspecified Tolerance:	±0.20	UNITS: mm	DATE:	MODE NUMBER :		SHEET:	1 Of 1
DESIGN BY:	WZQ	2011/8/20		HSM12864I		DATE:	2011/8/20
CHECKED BY:				DO NOT SCALE THIS DRAWING.	PROJECTION		
CUSTOM NO:							