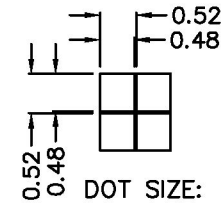
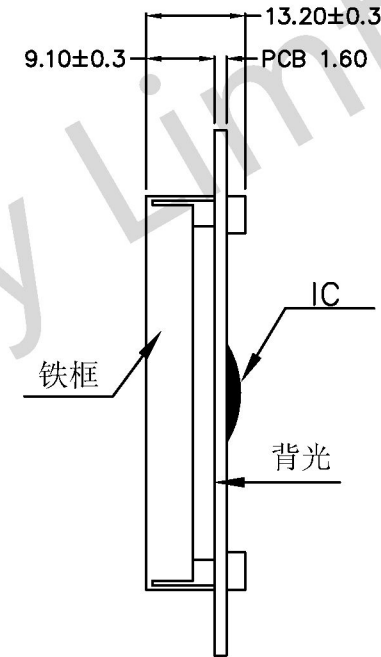
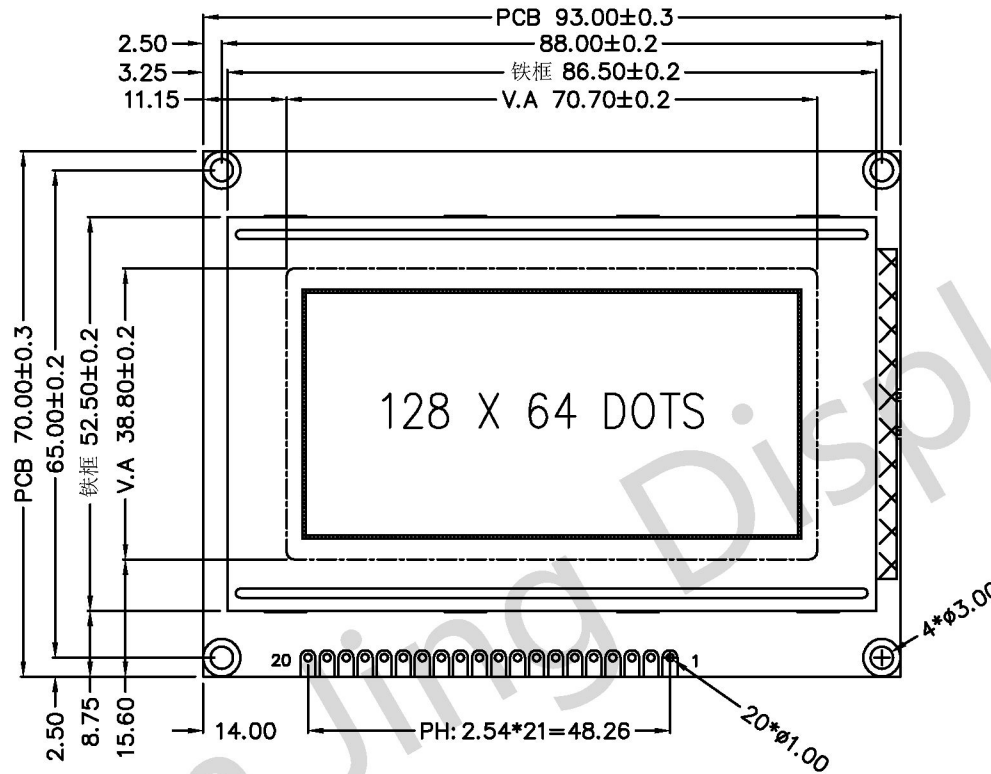


IF	SOMBLE
1	GND
2	VDD
3	V0
4	RS
5	RW
6	E
7	DB0
8	DB1
9	DB2
10	DB3
11	DB4
12	DB5
13	DB6
14	DB7
15	CS1
16	CS2
17	/REST
18	VOUT
19	LED-A(+5V)
20	LED-K

VER	DETIAL DISCIPTION	DATE
00	FIRST ISSUE	2011-10-7



SPECIFICATION:

- 1). STN (BLUE) /NEGATIVE/TRANSMISSIVE
- 2). DUTY:1/64. BIAS:1/9. VOP=10.5V
- 3). VIEWING ANGLE: 6 0' CLOCK
- 4). DRIVE VOLTAGE: 5.0V
- 5). OPERATING TEMPERATURE: -20~70°C
STORAGE TEMPERATURE: -30~80°C
- 6). BACKLIGHT: WHITE I=80MA
- 7). DRIVE IC: 0108, 0107

H 深圳市华显晶显示技术有限公司
HUA XIAN JING Display Limited www.huaxianjing.com

Unspecified Tolerance: ±0.20	UNITS: mm	DATE: 2011/10/7	MODE NUMBER: HSM12864J-1		SHEET: 1 Of 1
DESIGN BY: WZQ	CHECKED BY:	CUSTOM NO:	DO NOT SCALE THIS DRAWING.		PROJECTION