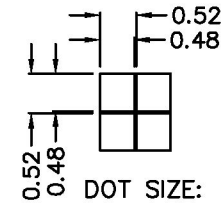
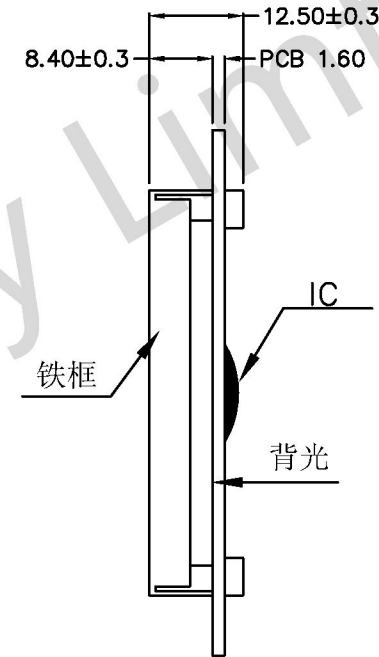
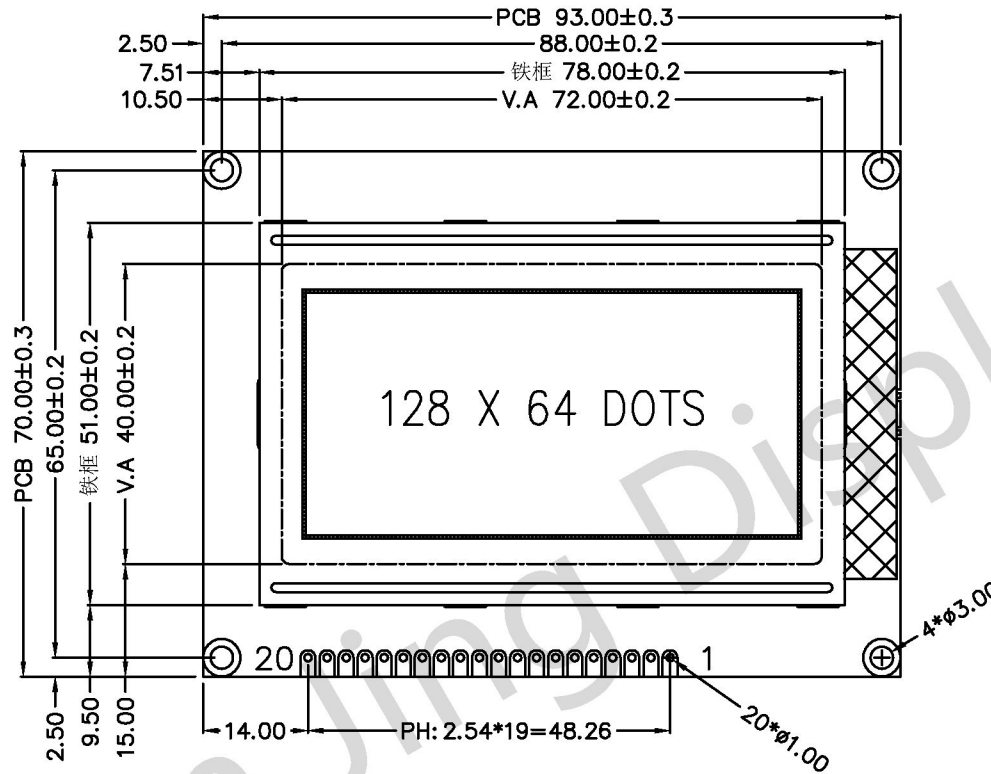


IF	SOMBLE
1	GND
2	VDD
3	V0
4	RS
5	RW
6	E
7	DB0
8	DB1
9	DB2
10	DB3
11	DB4
12	DB5
13	DB6
14	DB7
15	PSB
16	N.C
17	RST
18	N.C
19	LED-A(+5V)
20	LED-K

VER	DETIAL DISCIPTION	DATE
00	FIRST ISSUE	2011-6-29



SPECIFICATION:

- 1). STN(BLUE)/NEGAIVE/TRANSMISSIVE
- 2). DUTY:1/32. BIAS:1/6. VOP=5.0V
- 3). VIEWING ANGLE: 6 O' CLOCK
- 4). DRIVE VOLTAGE: 5.0V
- 5). OPERATING TEMPERATURE: -20~70°C
STORAGE TEMPERATURE: -30~80°C
- 6). BACKLIGHT: WHITE I=80MA
- 7). DRIVE IC: ST7920

 深圳市华显晶显示技术有限公司 HUA XIAN JING Display Limited www.huaxianjing.com		UNITS: mm		DATE:	MODE NUMBER :	 SHEET: 1 Of 1
		Unspecified Tolerance: ±0.20	DESIGN BY: WZQ	2011/6/29	HSM12864M-3	
CHECKED BY:		DO NOT SCALE THIS DRAWING.		PROJECTION		DATE: 2011/6/23