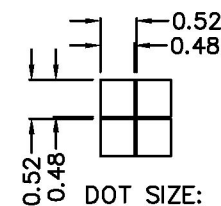
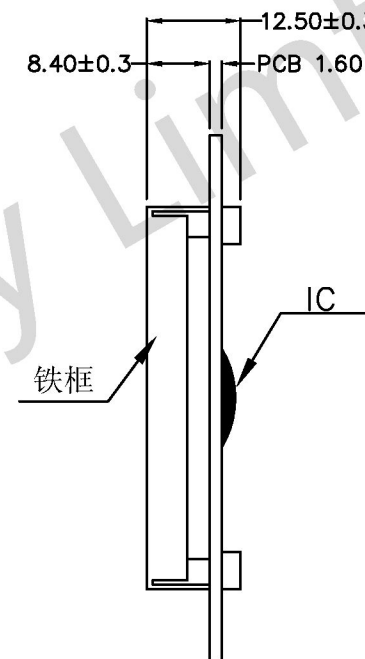
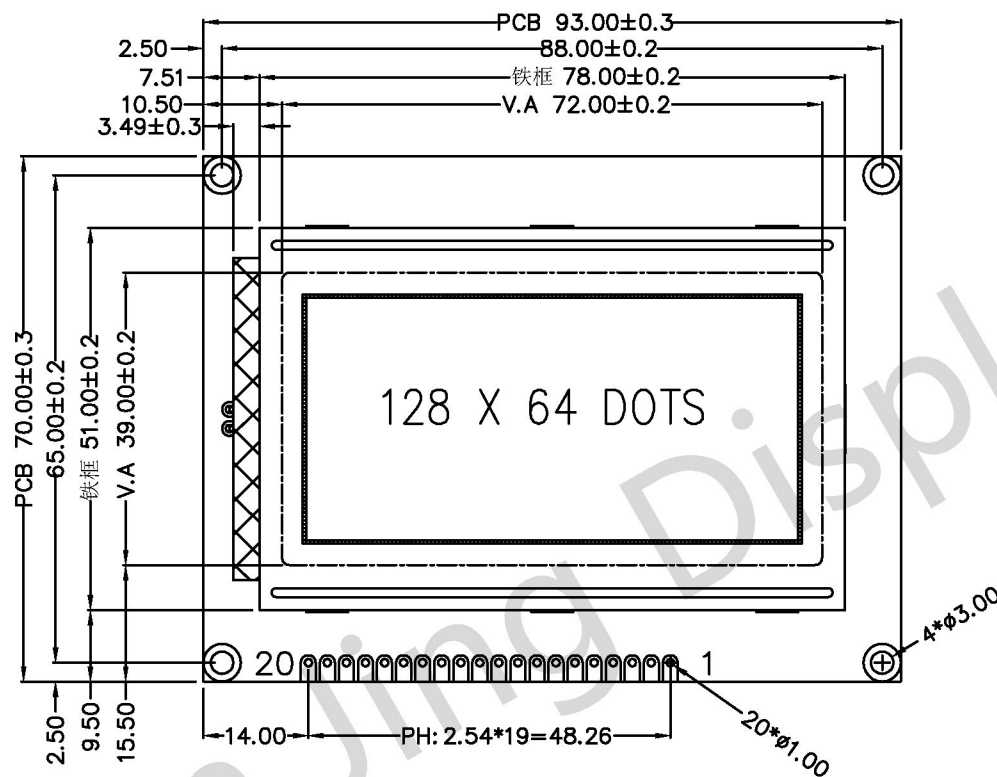


IF	SOMBLE
1	VSS
2	VDD(3.3V)
3	V0
4	RS
5	RW
6	E
7	DB0
8	DB1
9	DB2
10	DB3
11	DB4
12	DB5
13	DB6
14	DB7
15	CS1
16	CS2
17	/RST
18	VOUT
19	LED-A(+5V)
20	LED-K

VER	DETIAL DISCIPTION	DATE
00	FIRST ISSUE	2012-3-16



SPECIFICATION:

- 1). STN(Y-G) /POSITIVE/TRANSFLECTIVE
- 2). DUTY:1/64. BIAS:1/9. VOP=8.5V
- 3). VIEWING ANGLE: 6 O' CLOCK
- 4). DRIVE VOLTAGE: 3.3V
- 5). OPERATING TEMPERATURE: -20~70°C  
STORAGE TEMPERATURE: -30~80°C
- 6). BACKLIGHT: Y-G I=80MA
- 7). DRIVE IC: 0107,0108



深圳市华显晶显示技术有限公司

HUA XIAN JING Display Limited www.huaxianjing.com

Unspecified Tolerance:	±0.20	UNITS: mm	DATE:	MODE NUMBER :		SHEET:	1 Of 1
DESIGN BY:	吴子强 (WZQ)	2012/3/16		HSM12864Q		DATE:	2012/3/16
CHECKED BY:					DO NOT SCALE THIS DRAWING.	PROJECTION	
CUSTOM NO:							