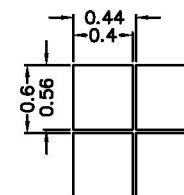
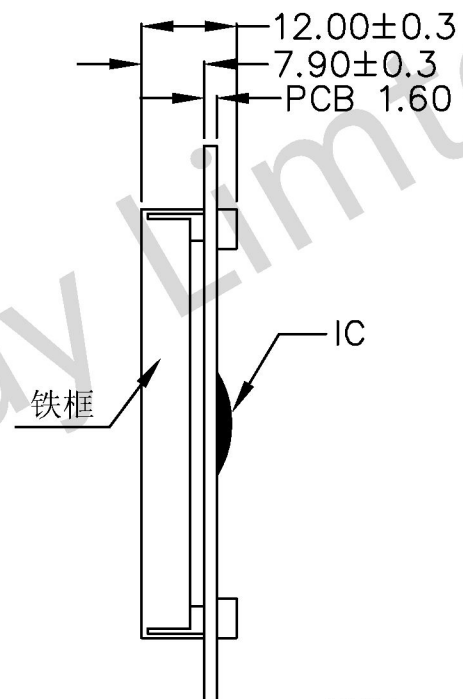
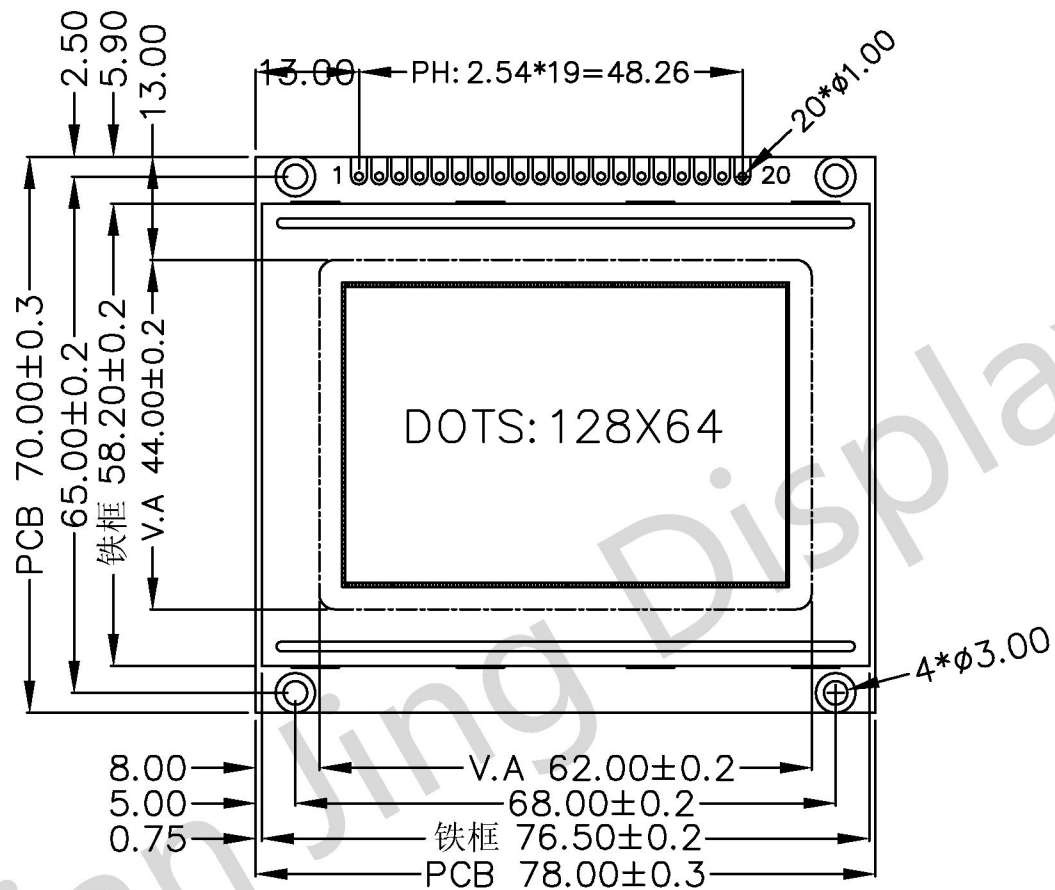


IF	SOMBLE
1	VSS
2	VDD(5V)
3	V0
4	RS
5	R/W
6	E
7	DB0
8	DB1
9	DB2
10	DB3
11	DB4
12	DB5
13	DB6
14	DB7
15	PSB
16	N.C
17	RST
18	VOUT
19	LED-A(5V)
20	LED-K

VER	DETIAL DISCRPTION	DATE
00	FIRST ISSUE	2010-06-17



DOT SIZE:

SPECIFICATION:

- 1). STN (GARY) / POSITIVE / TRANFLECTIVE
- 2). DUTY: 1/32. BIAS: 1/6. VOP=5.0V
- 3). VIEWING ANGLE: 6 O' CLOCK
- 4). DRIVE VOLTAGE: 5.0V
- 5). OPERATING TEMPERATURE: -20~70°C  
STORAGE TEMPERATURE: -30~80°C
- 6). BACKLIGHT: WHITE I=80MA
- 7). DRIVE IC: ST7920



深圳市华显晶显示技术有限公司

HUA XIAN JING Display Limited www.huaxianjing.com

Unspecified Tolerance:	±0.20	UNITS: mm	DATE:	MODE NUMBER :		SHEET:	1 of 1
DESIGN BY:	WZQ	2011/8/29	CHECKED BY:	HSM12864S		DATE:	2011/6/23
CUSTOM NO:				DO NOT SCALE THIS DRAWING.	PROJECTION		