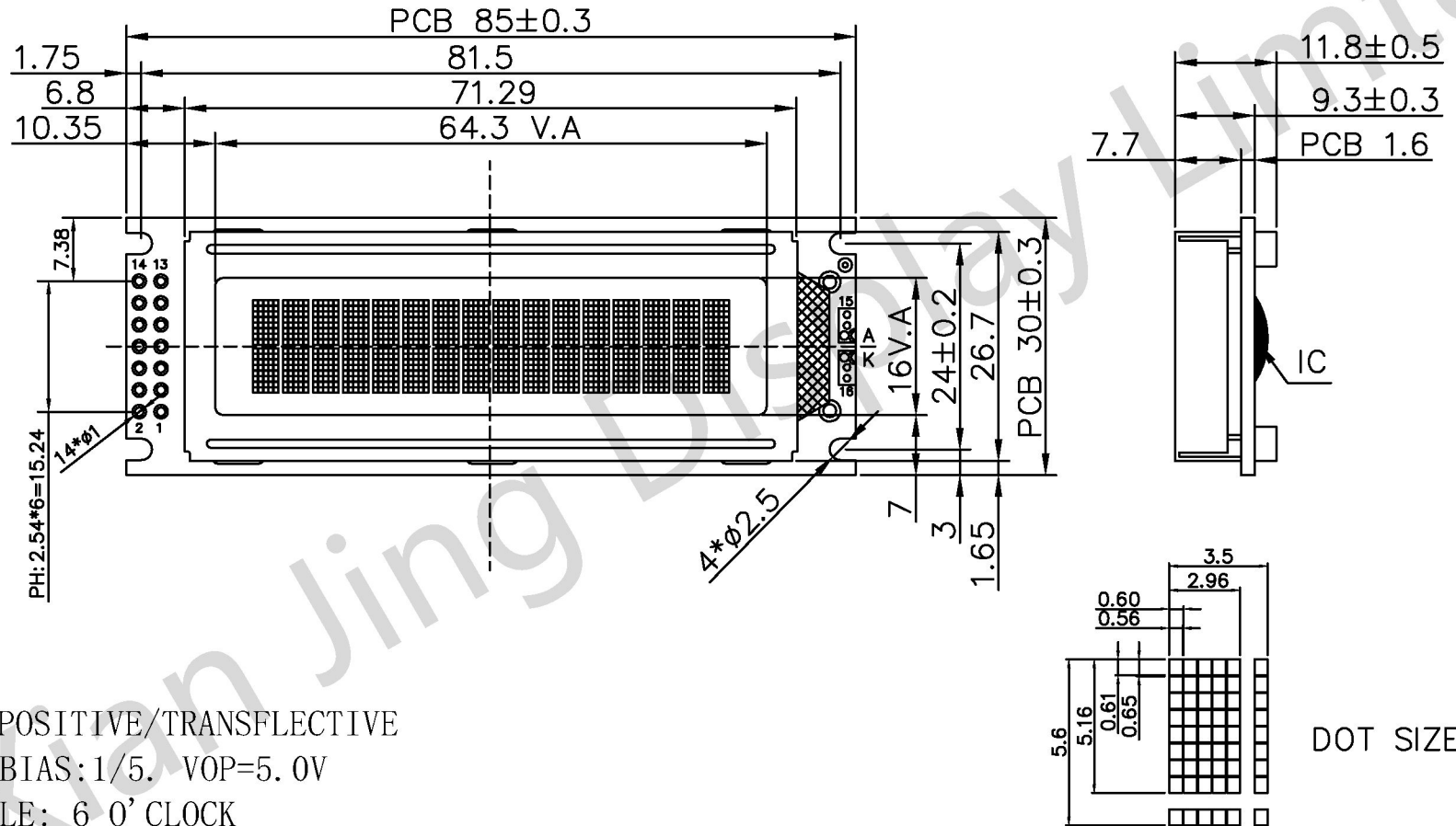


INTERFACE	
1	VDD(5V)
2	VSS
3	V0
4	RS
5	RW
6	E
7	DB0
8	DB1
9	DB2
10	DB3
11	DB4
12	DB5
13	DB6
14	DB7
15	LED-A(5V)
16	LED-K

VER	DETIAL DISCRPTION	DATE
00	FIRST ISSUE	2011-7-11



SPECIFICATION:

- 1). STN(GARY) /POSITIVE/TRANSFLECTIVE
- 2). DUTY:1/16. BIAS:1/5. VOP=5.0V
- 3). VIEWING ANGLE: 6 O' CLOCK
- 4). OPERATING TEMPERATURE: -20~70°C
STORAGE TEMPERATURE: -25~80°C
- 5). BACKLIGHT: WHITE I=20MA
- 6). DRIVE IC: AIP31066
- 7). DRIVE POWER: VDD=5.0V



深圳市华显晶显示技术有限公司

HUA XIAN JING Display Limited www.huaxianjing.com

Unspecified Tolerance:	± 0.20	UNITS: mm	DATE:	MODE NUMBER :		SHEET:	1 Of 1
DESIGN BY:	WZQ	2011/7/11	HSM1602H	DATE:		2011/7/11	
CHECKED BY:				DO NOT SCALE THIS DRAWING.	PROJECTION		
CUSTOM NO:							