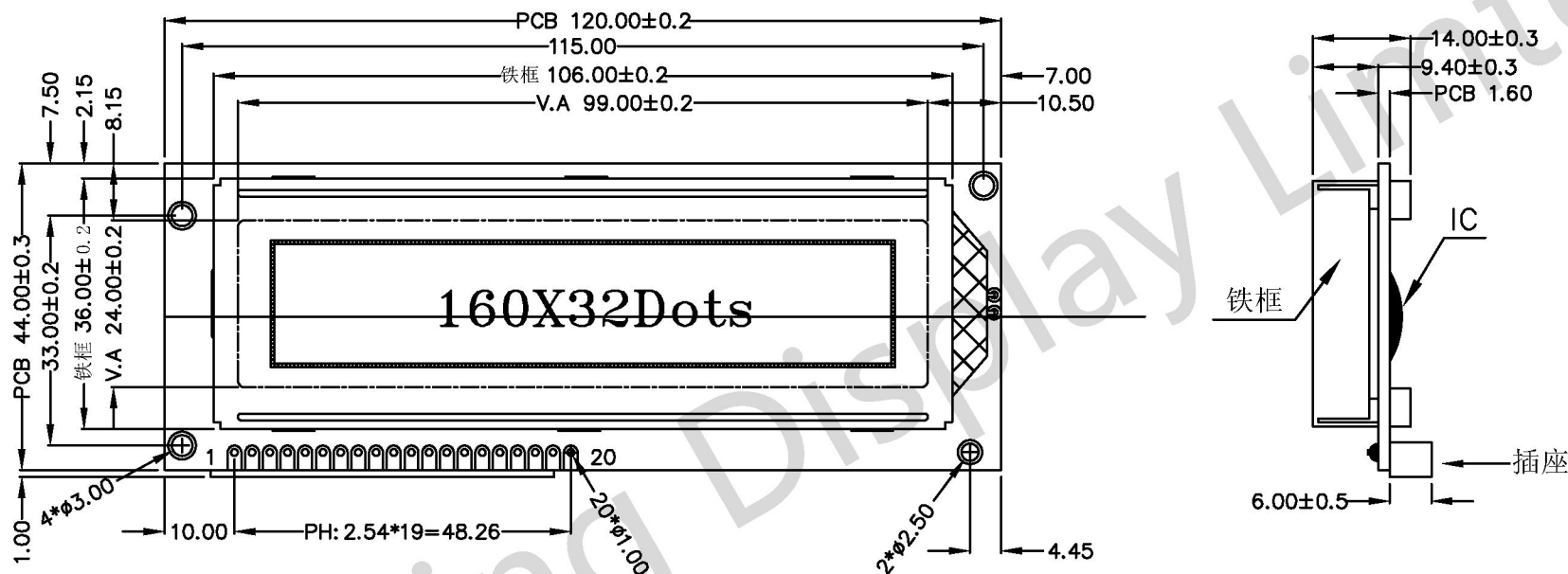


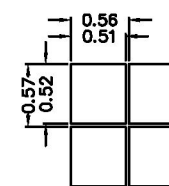
IF	SOMBLE
1	A0
2	/CS2
3	/CS1
4	/RD
5	/WR
6	VDD
7	VSS
8	DB0
9	DB1
10	DB2
11	DB3
12	DB4
13	DB5
14	DB6
15	DB7
16	RES
17	V0
18	VEE
19	LED-A
20	LED-K

VER	DETIAL DISCRPTION	DATE
00	FIRST ISSUE	2012-4-17



SPECIFICATION:

- 1). STN (GREY) / POSITIVE / REFLECTIVE
- 2). DUTY: 1/32. BIAS: 1/5. VOP=4.4V
- 3). VIEWING ANGLE: 6 0' CLOCK
- 4). DRIVE VOLTAGE: 5.0V
- 5). OPERATING TEMPERATURE: -20~70°C
STORAGE TEMPERATURE: -30~80°C
- 6). BACKLIGHT: ----
- 7). DRIVE IC: AIP31020



DOT SIZE:



深圳市华显晶显示技术有限公司

HUA XIAN JING Display Limited www.huaxianjing.com

Unspecified Tolerance:	± 0.20	UNITS: mm	DATE:	MODE NUMBER :		SHEET:	1 Of 1
DESIGN BY:	吴子强	2012/4/17		HSM16032A		DATE:	2012/4/17
CHECKED BY:					DO NOT SCALE THIS DRAWING.	PROJECTION	