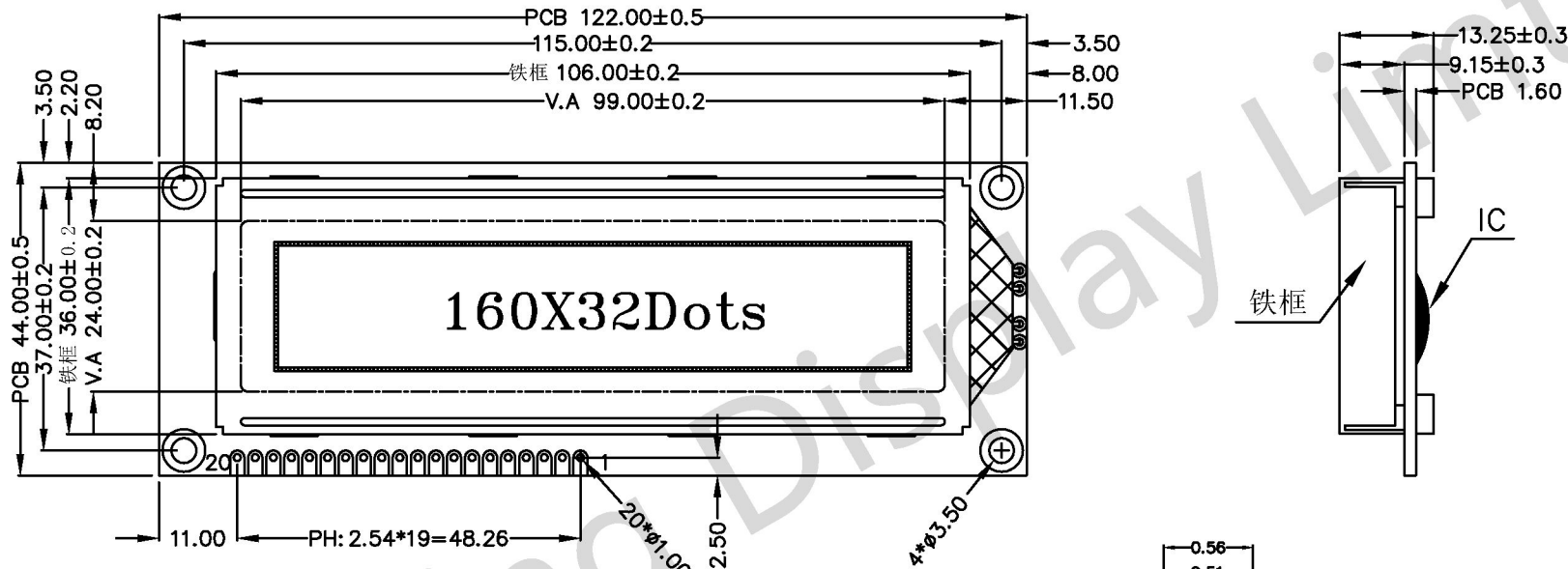


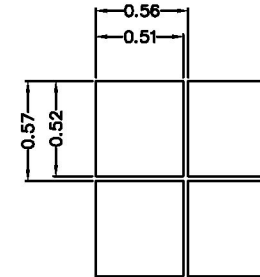
INTERFACE	
1	VSS
2	VDD
3	V0
4	RS(CS)
5	R/W(SID)
6	E(CLK)
7	DB0
8	DB1
9	DB2
10	DB3
11	DB4
12	DB5
13	DB6
14	DB7
15	PSB
16	N.C
17	/RST
18	VOOUT
19	LED-A
20	LED-K

VER	DETIAL DISCRPTION	DATE
00	FIRST ISSUE	2013-3-29



SPECIFICATION:

- 1). STN (GREY) / POSITIVE / REFLECTIVE
- 2). DUTY: 1/32. BIAS: 1/6. VOP=4.5V
- 3). VIEWING ANGLE: 6 0' CLOCK
- 4). DRIVE VOLTAGE: 5.0V
- 5). OPERATING TEMPERATURE: -20~70°C
STORAGE TEMPERATURE: -30~80°C
- 6). BACKLIGHT: WHITE I=40mA
- 7). DRIVE IC: AIP31020



DOT SIZE:

 深圳市华显晶显示技术有限公司 HUA XIAN JING Display Limited www.huaxianjing.com			
Unspecified Tolerance: ± 0.20	UNITS: mm	DATE: 2013/3/29	MODE NUMBER : HSM16032B
DESIGN BY: wzq			 SHEET: 1 Of 1 DATE: 2013/3/29
CHECKED BY:			
CUSTOM NO:			DO NOT SCALE THIS DRAWING.