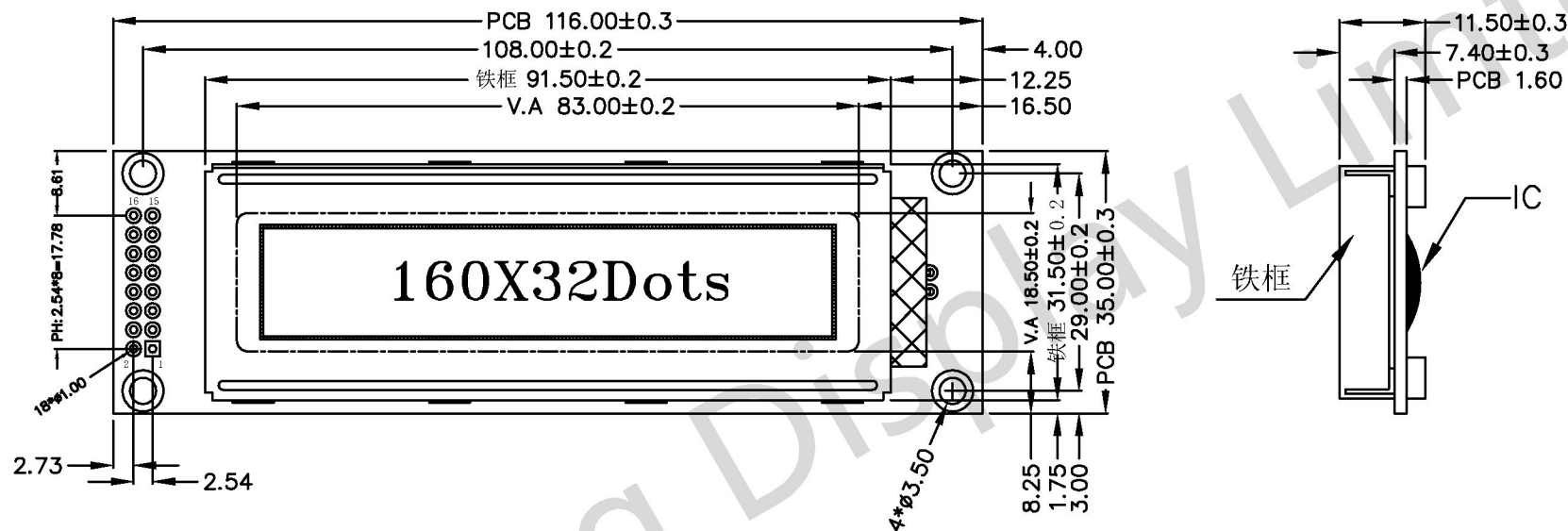


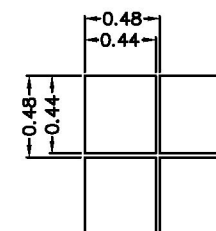
INTERFACE	
1	VSS
2	VDD
3	V0
4	RS (CS)
5	R/W(SID)
6	E(SCLK)
7	DB0
8	DB1
9	DB2
10	DB3
11	DB4
12	DB5
13	DB6
14	DB7
15	LED-A
16	LED-K

VER	DETIAL DISCRPTION	DATE
00	FIRST ISSUE	2011-12-2



SPECIFICATION:

- 1). STN(Y-G) / POSITIVE / TRANSFLECTIVE
- 2). DUTY: 1/32. BIAS: 1/5. VOP=4.4V
- 3). VIEWING ANGLE: 6 0' CLOCK
- 4). DRIVE VOLTAGE: 5.0V
- 5). OPERATING TEMPERATURE: -20~70°C  
STORAGE TEMPERATURE: -30~80°C
- 6). BACKLIGHT: Y-G I=40MA
- 7). DRIVE IC: ST7920



DOT SIZE:



深圳市华显晶显示技术有限公司

HUA XIAN JING Display Limited www.huaxianjing.com

Unspecified Tolerance:	± 0.20	UNITS: mm	DATE:	MODE NUMBER :		SHEET:	1 Of 1
DESIGN BY:	WZQ	2011/12/2		HSM16032D		DATE:	2011/12/2
CHECKED BY:					DO NOT SCALE THIS DRAWING.	PROJECTION	
CUSTOM NO:							