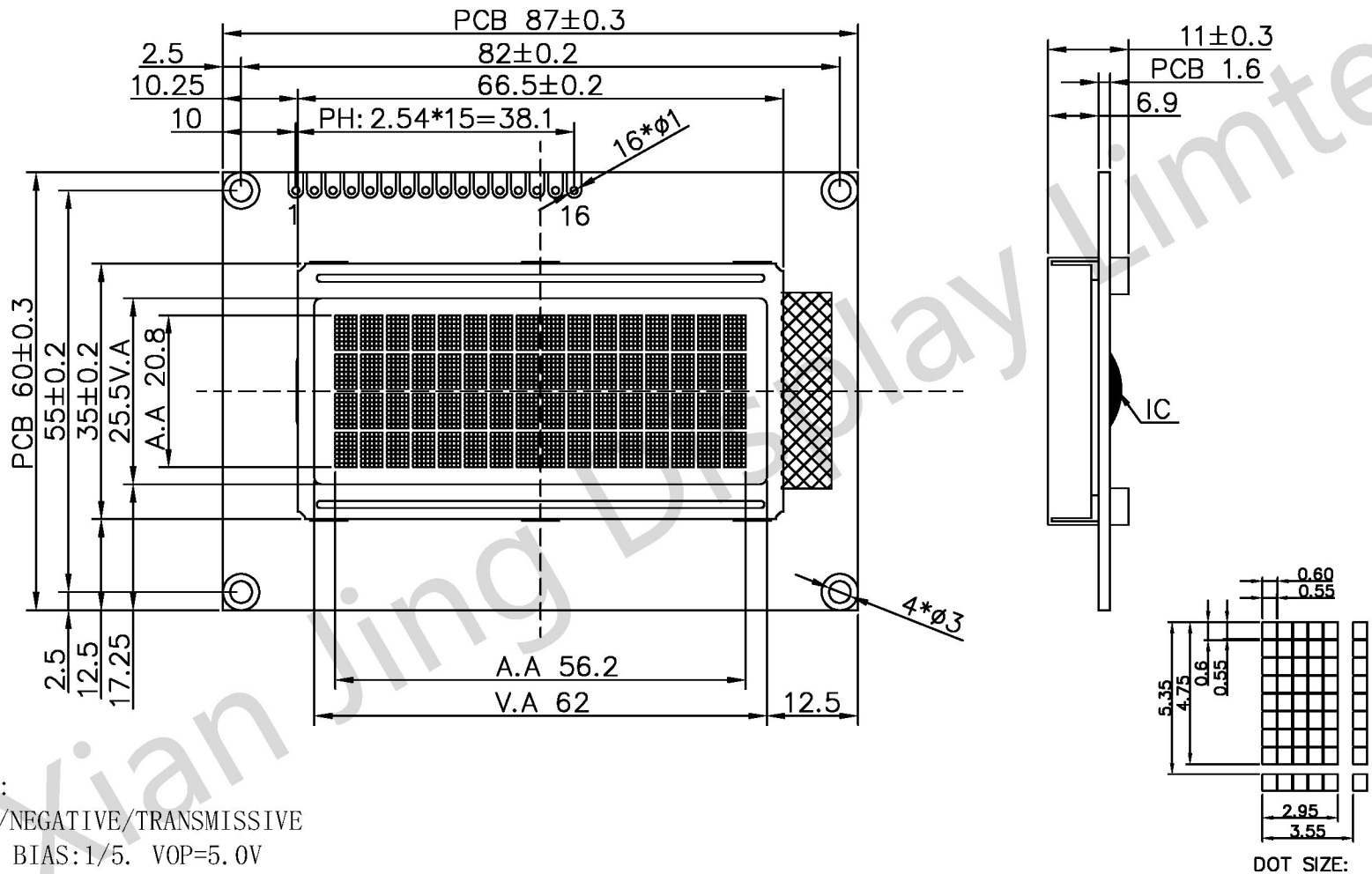


INTERFACE	
1	VSS
2	VDD(5V)
3	V0
4	RS
5	RW
6	E
7	DB0
8	DB1
9	DB2
10	DB3
11	DB4
12	DB5
13	DB6
14	DB7
15	LED-A(5V)
16	LED-K

VER	DETIAL DISCRPTION	DATE
00	FIRST ISSUE	2012-10-30



SPECIFICATION:

- 1). STN(BLUE) /NEGATIVE/TRANSMISSIVE
- 2). DUTY:1/16. BIAS:1/5. VOP=5.0V
- 3). VIEWING ANGLE: 6 0' CLOCK
- 4). OPERATING TEMPERATURE: 0~50°C
STORAGE TEMPERATURE: -10~60°C
- 5). BACKLIGHT: WHITE I=40MA
- 6). DRIVE IC: AIP31066
- 7). DRIVE POWER: VDD=5.0V

 深圳市华显晶显示技术有限公司 HUA XIAN JING Display Limited www.huaxianjing.com		 PROJECTION	SHEET:	1 Of 1
			DATE:	2012/10/30
Unspecified Tolerance:	±0.20	UNITS: mm	DATE:	MODE NUMBER :
DESIGN BY:	WZQ	2012/10/30	HSM1604A	
CHECKED BY:			DO NOT SCALE THIS DRAWING.	
CUSTOM NO:				