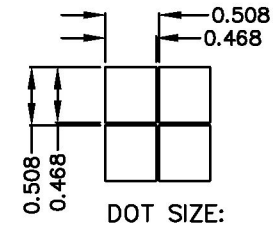
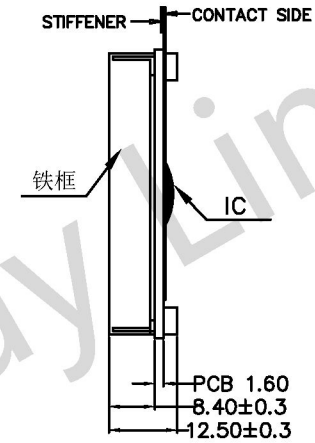
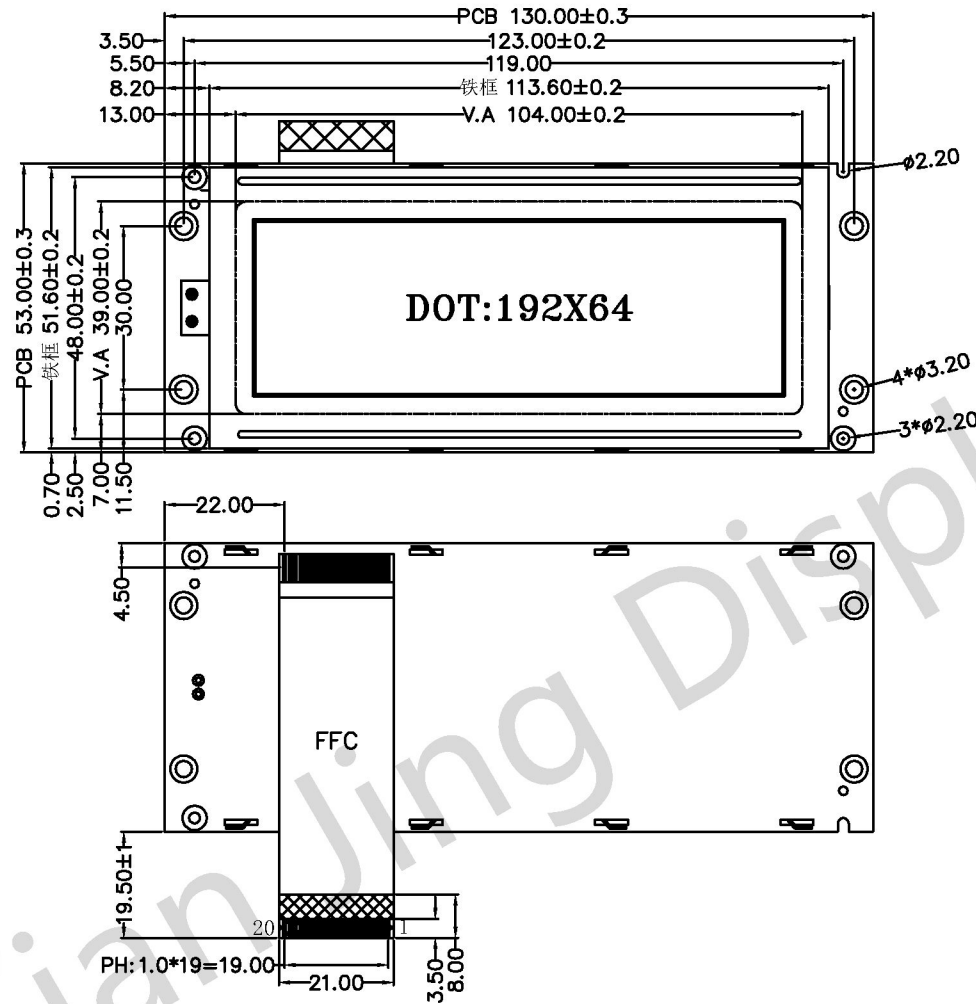


INTERFACE	
1	VSS
2	VDD(5V)
3	V0
4	RS
5	R/W
6	E
7	DB0
8	DB1
9	DB2
10	DB3
11	DB4
12	DB5
13	DB6
14	DB7
15	CS1
16	RST
17	CS2
18	CS3
19	VOUT
20	LED-A(5V)

VER	DETIAL DISCRIPTION	DATE
00	FIRST ISSUE	2011-06-29



SPECIFICATION:

- 1). STN(Y-G)/POSTIVE/TRANSFLECTIVE
- 2). DUTY:1/64. BIAS:1/9. VOP=10.5V
- 3). VIEWING ANGLE: 6 O' CLOCK
- 4). DRIVE VOLTAGE: 5.0V
- 5). OPERATING TEMPERATURE: -20~70°C
STORAGE TEMPERATURE: -30~80°C
- 6). BACKLIGHT: Y-G I=510MA

 深圳市华显晶显示技术有限公司 HUA XIAN JING Display Limited www.huaxianjing.com			
Unspecified Tolerance: ±0.20	UNITS: mm	DATE: 2011/6/29	MODE NUMBER: HSM19264C
DESIGN BY: WZQ	CHECKED BY:	CUSTOM NO.:	DO NOT SCALE THIS DRAWING.
 PROJECTION		SHEET: 1 Of 1	DATE: 2011/6/23