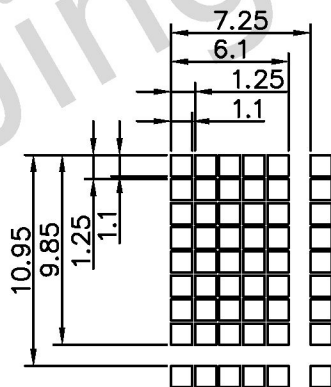
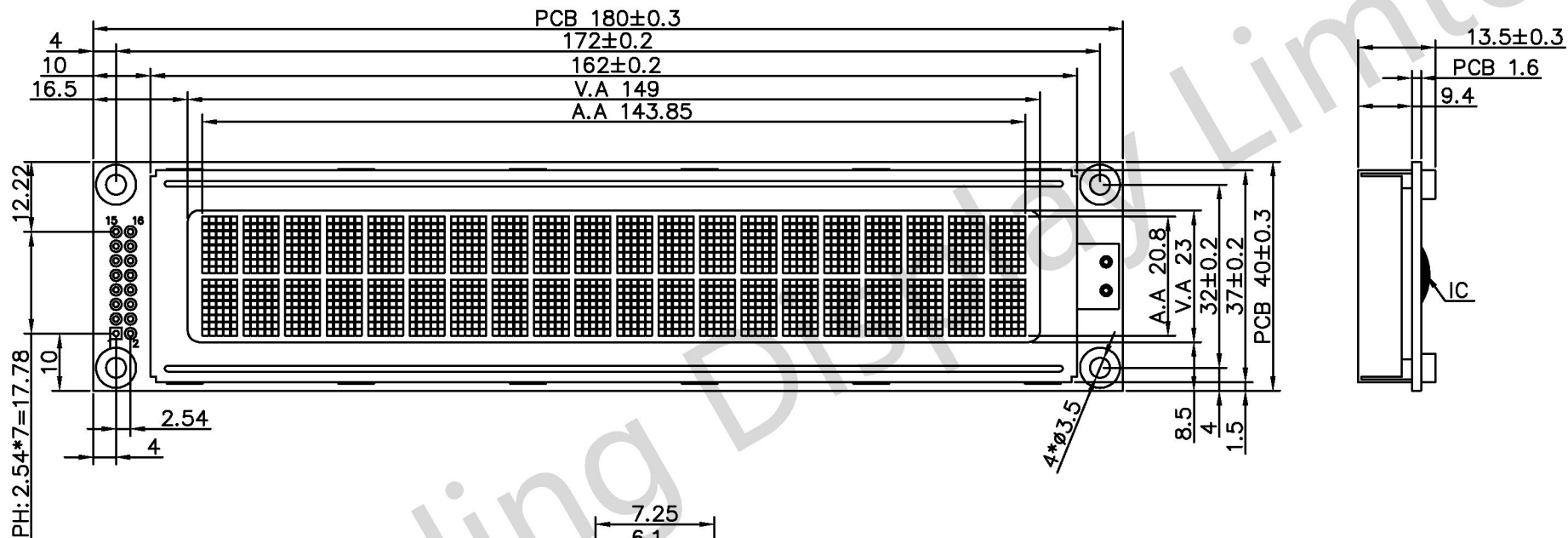


INTERFACE	
1	LED-K
2	LED-A(5V)
3	VSS
4	VDD(5V)
5	V0
6	RS
7	RW
8	E
9	DB0
10	DB1
11	DB2
12	DB3
13	DB4
14	DB5
15	DB6
16	DB7



SPECIFICATION:

- 1). STN (BLUE) /NEGATIVE/TRANSMISSIVE
- 2). DUTY:1/16. BIAS:1/5. VOP=4.5V
- 3). VIEWING ANGLE: 6 0' CLOCK
- 4). OPERATING TEMPERATURE: -20~70°C
STORAGE TEMPERATURE: -30~80°C
- 5). BACKLIGHT: WHITE I=120MA
- 6). DRIVE POWER: VDD=5.0V

 深圳市华显晶显示技术有限公司 HUA XIAN JING Display Limited www.huaxianjing.com		 SHEET: 1 of 1	DATE: 2011/12/2
Unspecified Tolerance: ±0.20	UNITS: mm	DATE: 2011/12/2	SHEET: 1 of 1
DESIGN BY: WZQ	CHECKED BY:	DO NOT SCALE THIS DRAWING.	DATE: 2011/12/2
CUSTOM NO:	PROJECTION	DATE: 2011/12/2	DATE: 2011/12/2