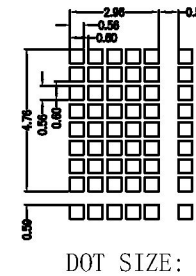
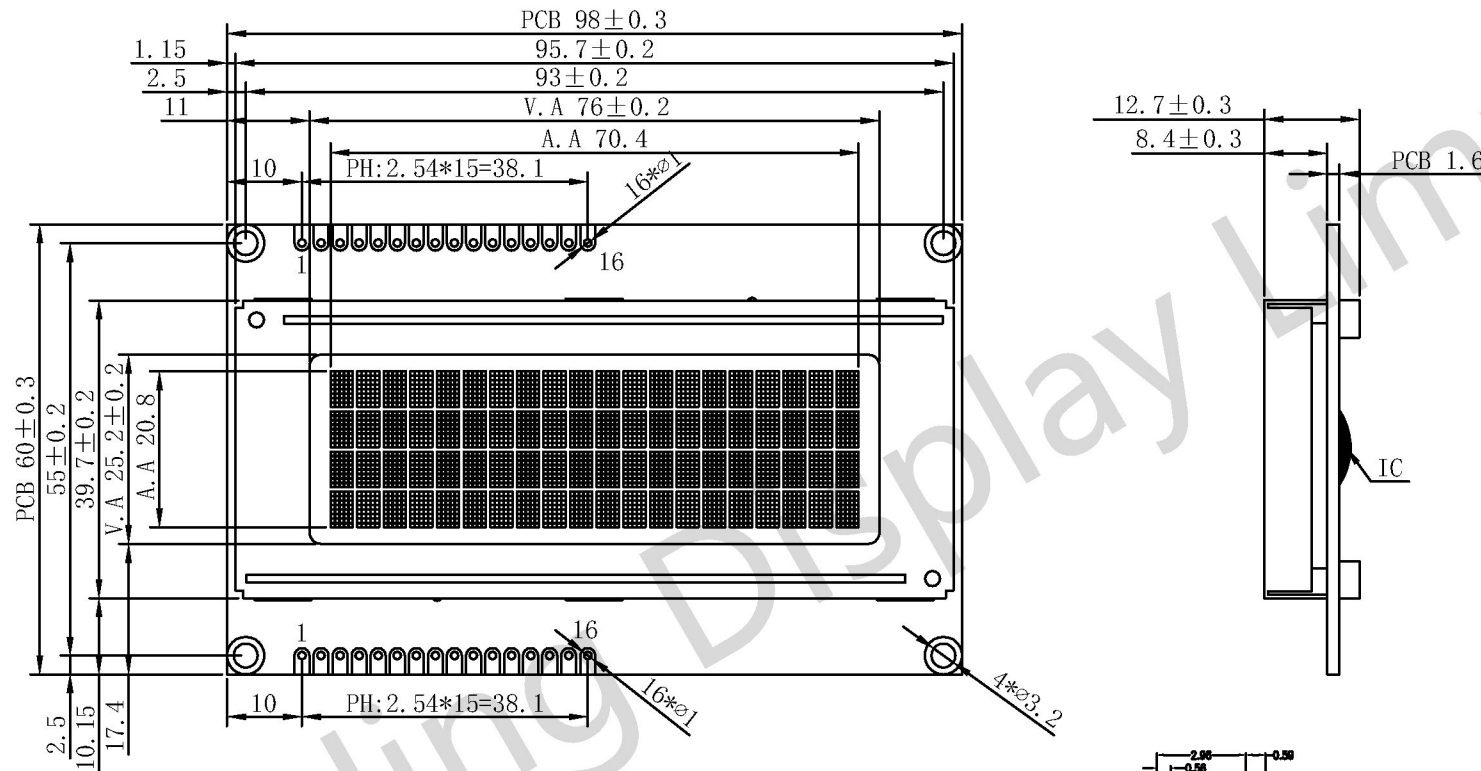


INTERFACE	
1	VSS
2	VDD(5V)
3	V0(N.C)
4	RS
5	RW
6	E
7	DB0
8	DB1
9	DB2
10	DB3
11	DB4
12	DB5
13	DB6
14	DB7
15	LED-A(5V)
16	LED-K

VER	DETIAL DISCIPTION	DATE
00	FIRST ISSUE	2017-4-14



SPECIFICATION:

- 1). STN(Y-G)/POSITIVE/TRANSMISSIVE
- 2). DUTY:1/16. BIAS:1/5. VOP=4.0V
- 3). VIEWING ANGLE: 6 O' CLOCK
- 4). OPERATING TEMPERATURE:  $-20 \sim 70^{\circ}\text{C}$   
STORAGE TEMPERATURE:  $-30 \sim 80^{\circ}\text{C}$
- 5). BACKLIGHT: Y-G I=50MA
- 6). DRIVE POWER: VDD=5.0V

 **深圳市华显晶显示技术有限公司**  
**HUA XIAN JING Display Limited** www.huaxianjing.com

Unspecified Tolerance: $\pm 0.20$	UNITS: mm	DATE:	MODE NUMBER :		SHEET: 1 Of 1
DESIGN BY: WZQ		2017/4/14	HSM2004A-13		DATE: 2017/4/14
CHECKED BY:					
CUSTOM NO:			DO NOT SCALE THIS DRAWING.		PROJECTION