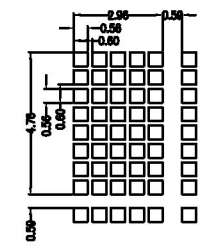
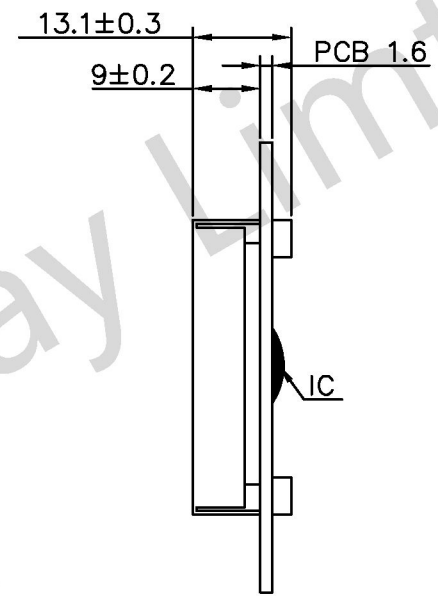
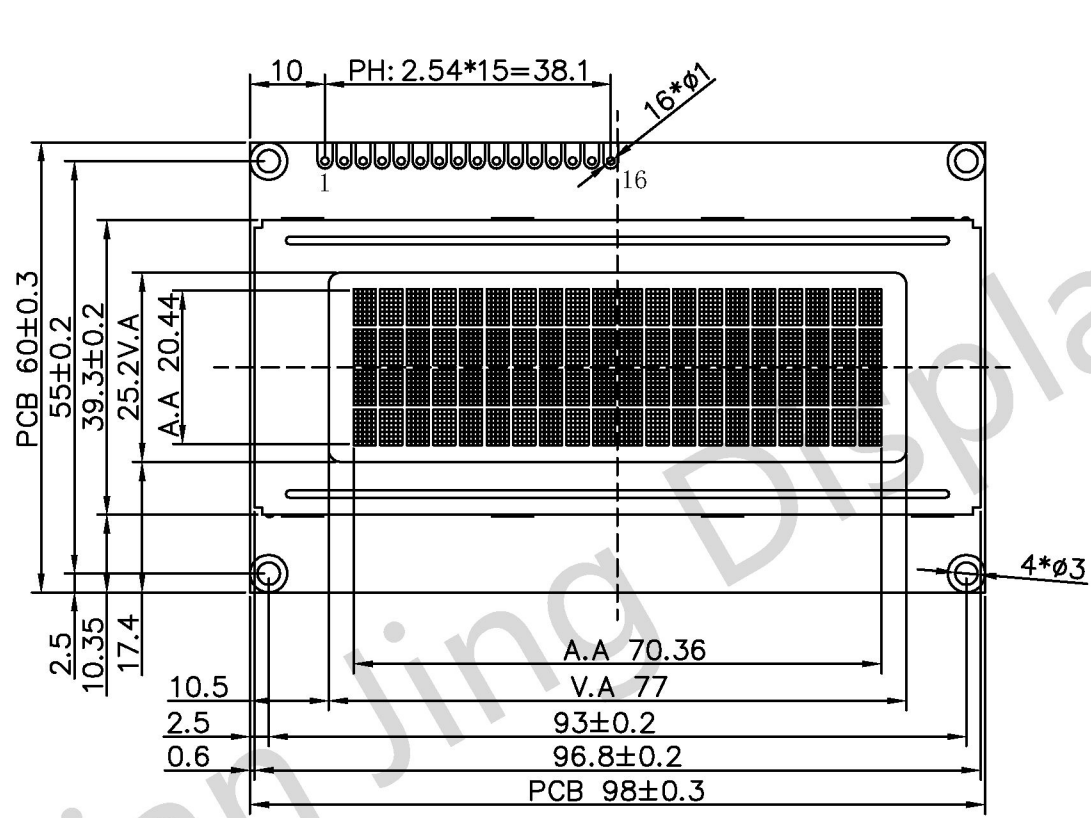


INTERFACE	
1	VSS
2	VDD(5V)
3	V0
4	RS
5	RW
6	E
7	DB0
8	DB1
9	DB2
10	DB3
11	DB4
12	DB5
13	DB6
14	DB7
15	LED-A(5V)
16	LED-K

VER	DETIAL DISCRIPTION	DATE
00	FIRST ISSUE	2016-10-7



DOT SIZE:

SPECIFICATION:

- 1). STN (BLUE) /NEGATIVE/TRANSMISSIVE
- 2). DUTY:1/16. BIAS:1/5. VOP=4.2V
- 3). VIEWING ANGLE: 6 O' CLOCK
- 4). OPERATING TEMPERATURE: -20~70°C  
STORAGE TEMPERATURE: -30~80°C
- 5). BACKLIGHT: WHITE I=40MA
- 6). DRIVE POWER: VDD=5.0V

**H** 深圳市华显晶显示技术有限公司  
**HUA XIAN JING Display Limited** www.huaxianjing.com

Unspecified Tolerance:	±0.20	UNITS: mm	DATE:	MODE NUMBER :		SHEET:	1 Of 1
DESIGN BY:	WZQ	2016/10/7	HSM2004A-8			DATE:	2016/10/7
CHECKED BY:			DO NOT SCALE THIS DRAWING.		PROJECTION		
CUSTOM NO:							