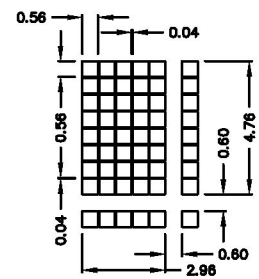
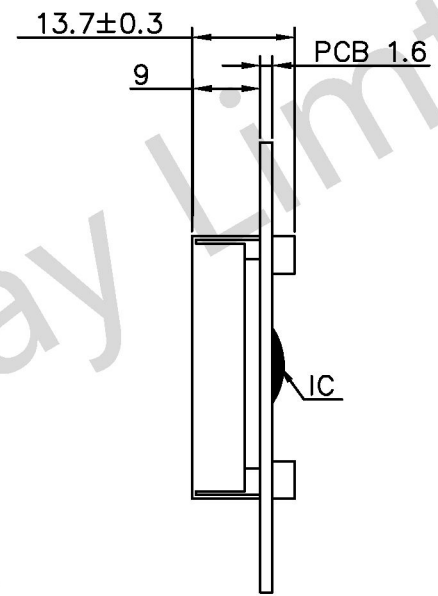
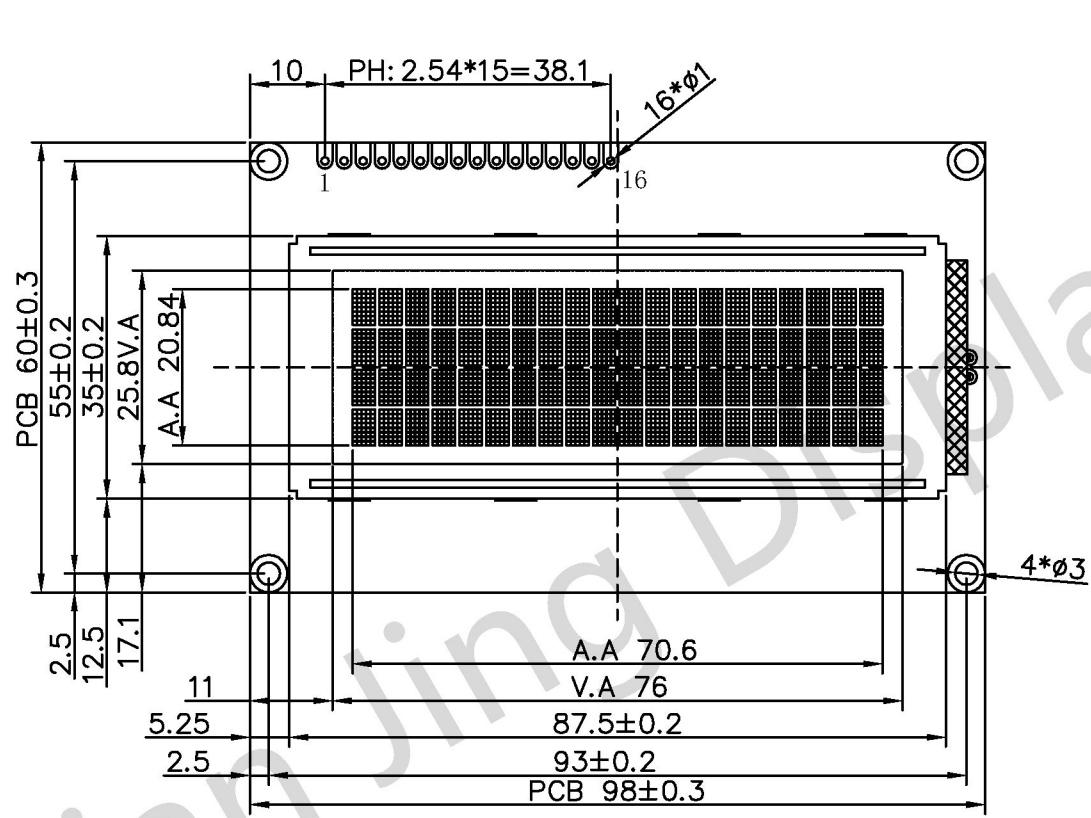


INTERFACE	
1	VSS
2	VDD(5V)
3	V0
4	RS
5	RW
6	E
7	DB0
8	DB1
9	DB2
10	DB3
11	DB4
12	DB5
13	DB6
14	DB7
15	LED-A(5V)
16	LED-K


VER	DETIAL DISCIPTION	DATE
00	FIRST ISSUE	2011-11-8



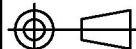
DOT SIZE:

SPECIFICATION:

- 1). STN(Y-G)/POSITIVE/TRANSFLECTIVE
- 2). DUTY:1/16. BIAS:1/5. VOP=4.5V
- 3). VIEWING ANGLE: 6 O' CLOCK
- 4). OPERATING TEMPERATURE: -20~70°C
STORAGE TEMPERATURE: -30~80°C
- 5). BACKLIGHT: Y-G I=80MA
- 6). DRIVE POWER: VDD=5.0V



深圳市华显晶显示技术有限公司
HUA XIAN JING Display Limited www.huaxianjing.com

Unspecified Tolerance:	±0.20	UNITS: mm	DATE:	MODE NUMBER :		SHEET:	1 Of 1
DESIGN BY:	WZQ		2011/11/8	HSM2004B		DATE:	2011/11/8
CHECKED BY:							
CUSTOM NO:				DO NOT SCALE THIS DRAWING.	PROJECTION		