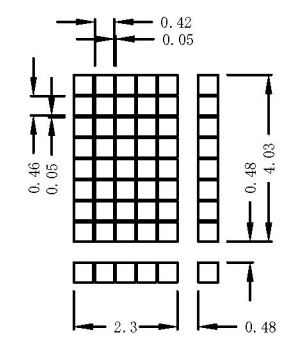
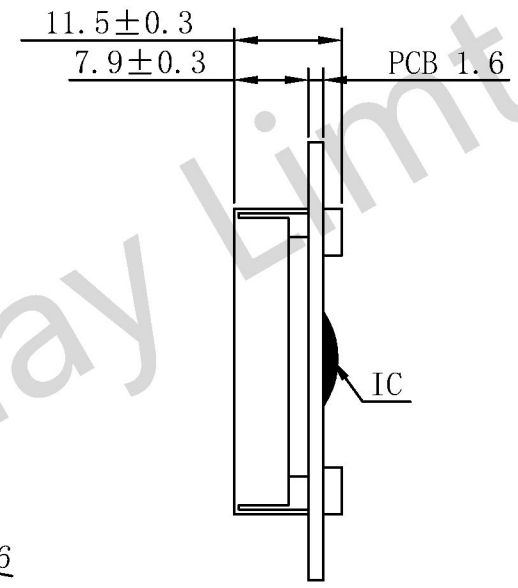
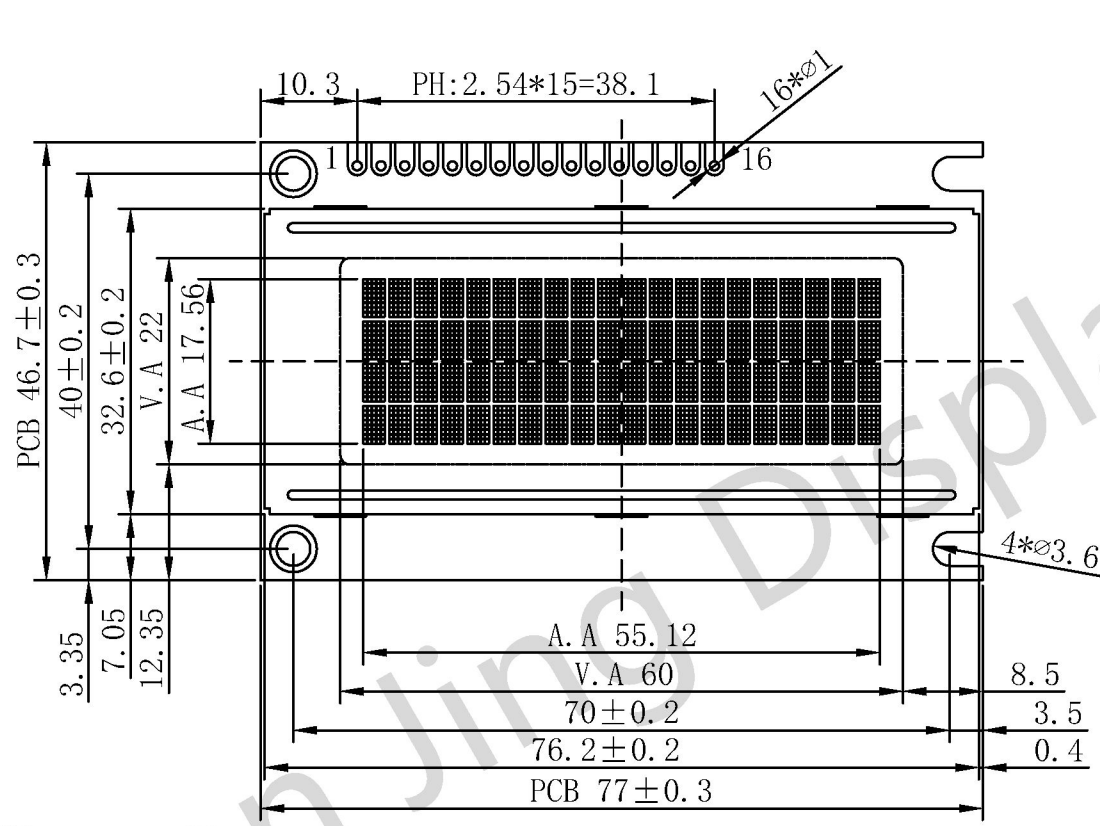


INTERFACE	
1	VSS
2	VDD(5V)
3	V0
4	RS
5	RW
6	E
7	DB0
8	DB1
9	DB2
10	DB3
11	DB4
12	DB5
13	DB6
14	DB7
15	LED-A(5V)
16	LED-K

VER	DETIAL DISCRIPTION	DATE
00	FIRST ISSUE	2014-5-4



DOT SIZE:

SPECIFICATION:

- 1). STN (BLUE) /NEGATIVE/TRANSMISSTIVE
- 2). DUTY: 1/16. BIAS: 1/5. VOP=4.2V
- 3). VIEWING ANGLE: 6 0' CLOCK
- 4). OPERATING TEMPERATURE: -20~70°C
STORAGE TEMPERATURE: -30~80°C
- 5). BACKLIGHT: WHITE I=60MA
- 6). DRIVE POWER: VDD=5.0V
- 7). DRIVE IC: AIP31066

H 深圳市华显晶显示技术有限公司
HUA XIAN JING Display Limited www.huaxianjing.com

Unspecified Tolerance: ±0.20	UNITS: mm	DATE:	MODE NUMBER :		SHEET: 1 Of 1
DESIGN BY: WZQ	2014/5/4	HSM2004F	DATE: 2014/5/4		
CHECKED BY:			DO NOT SCALE THIS DRAWING.	PROJECTION	
CUSTOM NO:					