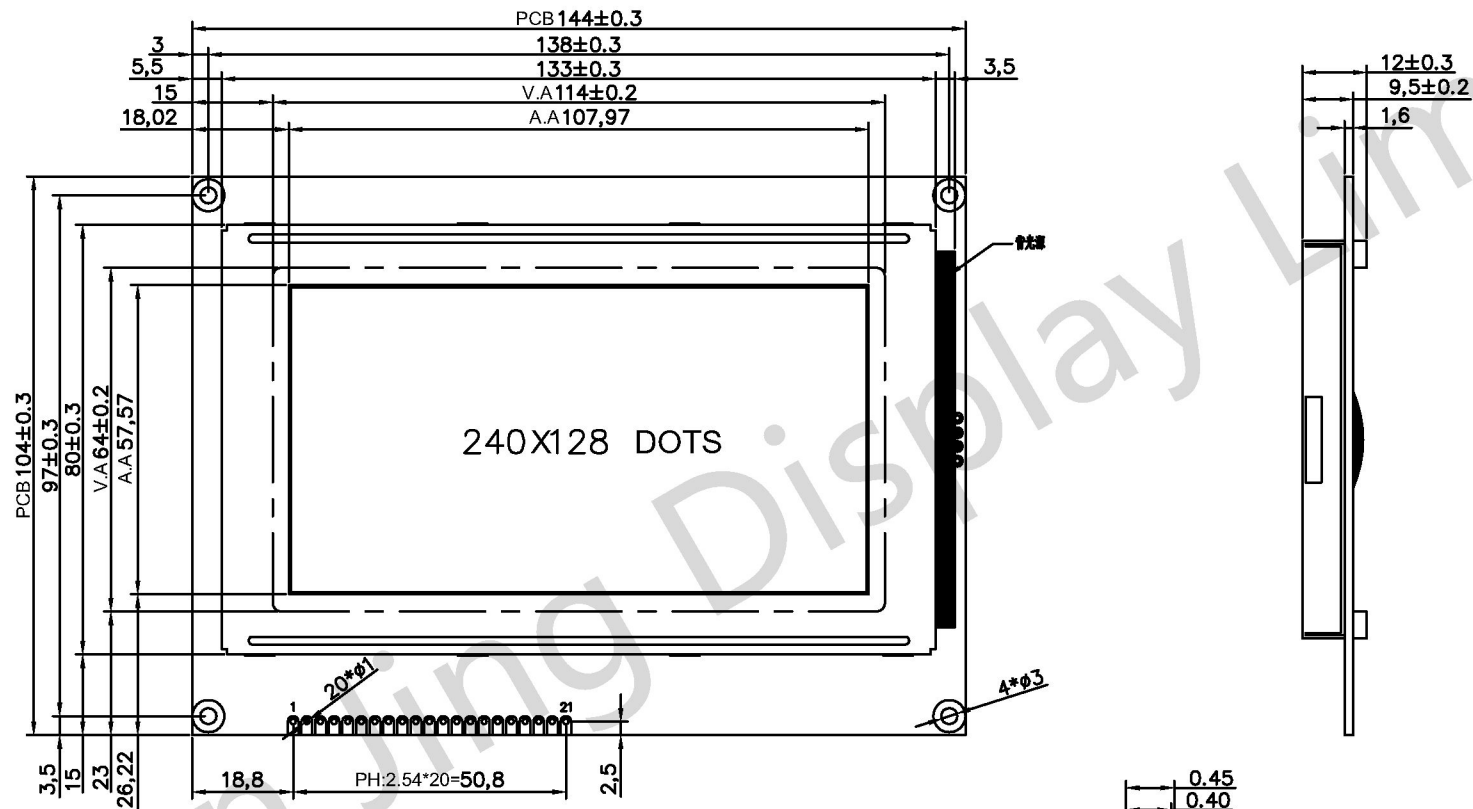


INTERFACE:	
1	FG
2	VSS
3	VCC(5V)
4	V0
5	WR
6	RD
7	CS
8	C/D
9	RST
10	DB0
11	DB1
12	DB2
13	DB3
14	DB4
15	DB5
16	DB6
17	DB7
18	FS
19	VEE
20	LED+(5V)
21	LED-

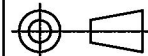
VER	DETIAL DISCRPTION	DATE
00	FIRST ISSUE	2011-8-13



SPECIFICATIONS

STORAGE TEMP : -30°C TO +80°C
 OPERATING TEMP : -20°C TO +70°C
 VIEWING DIRECTION : 6 O'CLOCK
 DRIVE CONDITION : 1/128 DUTY, 1/12 BIAS, VOP=18V
 DISPLAY MODE : STN TRANSMISSIVE NEGATIVE(BLUE)
 BACK LIGHT ITEM: WHITE, I=120mA
 LCM OPERATING VOLTAGE 5.0V
 CONTROLLER/DRIVER IC: 6963+Bonding ic


深圳市华显晶显示技术有限公司
HUA XIAN JING Display Limited www.huaxianjing.com

Unspecified Tolerance:	± 0.20	UNITS: mm	DATE:	MODE NUMBER :		SHEET:	1 of 1
DESIGN BY:	WZQ		2011/8/13	HSM240128B		DATE:	2011/8/13
CHECKED BY:					DO NOT SCALE THIS DRAWING.		
CUSTOM NO:							