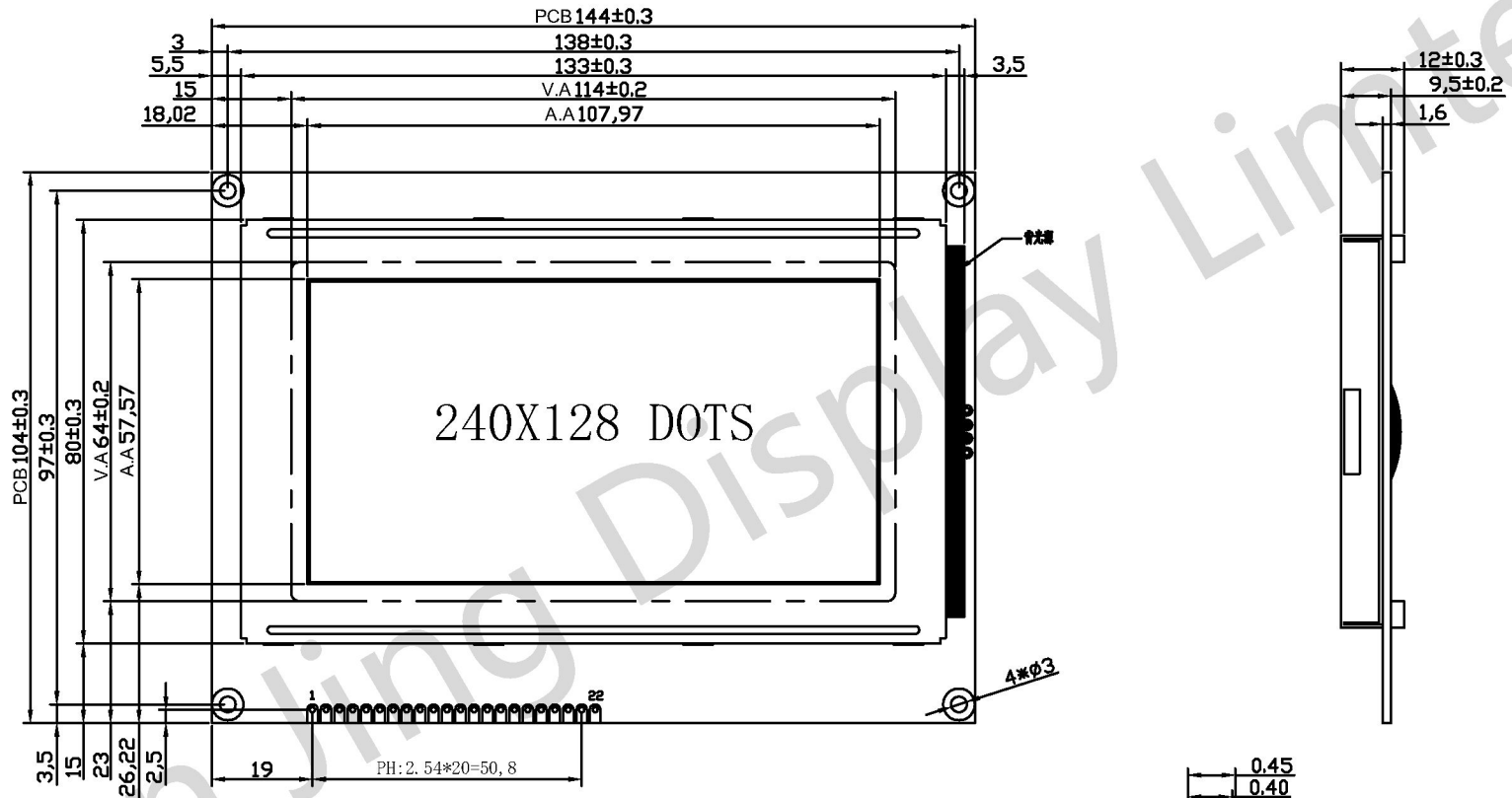


INTERFACE:	
1	VSS
2	VCC(5V)
3	V0
4	RS
5	RD
6	WR
7	DB0
8	DB1
9	DB2
10	DB3
11	DB4
12	DB5
13	DB6
14	DB7
15	CS1
16	CS2
17	RST
18	VEE
19	LED+(5V)
20	LED-
21	INT
22	BUSY

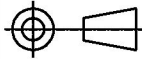
VER	DETIAL DISCRPTION	DATE
00	FIRST ISSUE	2012-12-20



SPECIFICATIONS

STORAGE TEMP : -30°C TO +80°C
 OPERATING TEMP : -20°C TO +70°C
 VIEWING DIRECTION : 6 O'CLOCK
 DRIVE CONDITION : 1/128 DUTY, 1/12 BIAS,VOP=18V
 DISPLAY MODE : STN TRANSMISSIVE NEGATIVE(BLUE)
 BACK LIGHT ITEM: WHITE,I=120mA
 LCM OPERATING VOLTAGE5.0V
 CONTROLLER/DRIVER IC:RA8822+Bonding ic

 深圳市华显晶显示技术有限公司
 HUA XIAN JING Display Limited www.huaxianjing.com

Unspecified Tolerance:	± 0.20	UNITS: mm	DATE:	MODE NUMBER :		SHEET:	1 of 1
DESIGN BY:	WZQ	2012/12/20	HSM240128C	DATE:		2012/12/20	
CHECKED BY:				DO NOT SCALE THIS DRAWING.	PROJECTION		