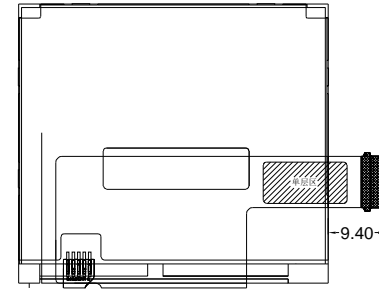
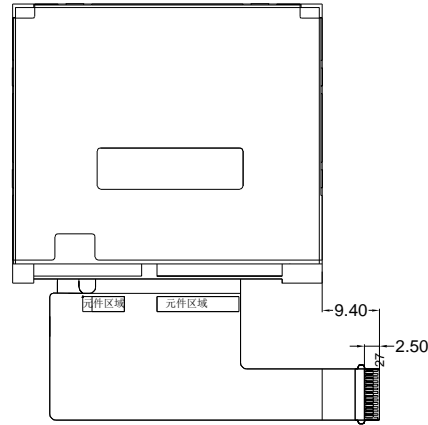
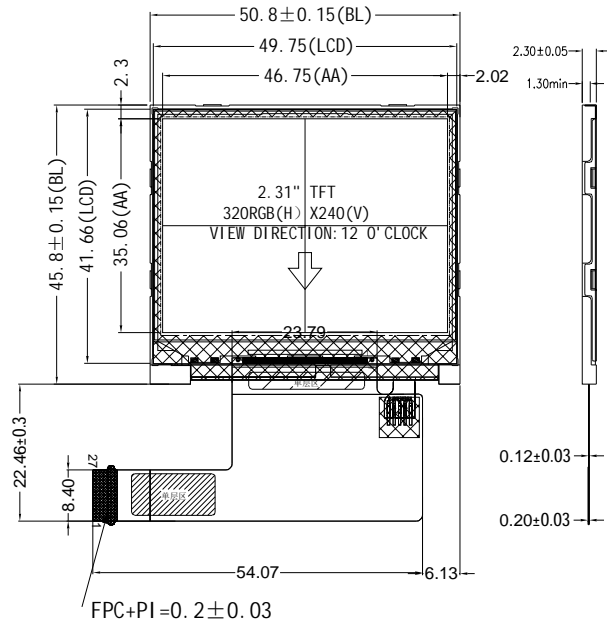


客户确认:

REV	DESCRIPTION	NAME	DATE
V.0	首次出图	YZD	2021.12.28
V.0	FPC加长2.5MM	YZD	2022.05.27



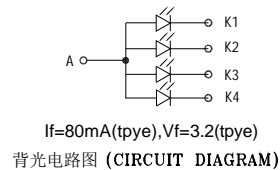
弯折出货

1	VDD
2	IOVCC
3	GND
4	GND
5-12	DB0-DB7
13	GND
14	RESET
15	WRB
16	RDB
17	CS
18	RS
19	GND
20	NC
21	K
22	K
23	K
24	K
25	NC
26	A
27	MTP

NOTES:

1. DISPLAY TYPE: 262K Colors LCD, Transmissive, Normal White
2. OPERATING TEMP.: -20°C~70°C
3. STORAGE TEMP.: -30°C~80°C
4. LCD DRIVER: ILI9342C
5. BACKLIGHT: 4CHIP-WHITE LED, If=80mA
6. UNMARKED TOLERANCE: ±0.2
7. 符合ROHS要求
8. 建议机壳V.A开窗比LCD的A.A单边大0.5

背光电路:



HUA XIAN JING Display Limited www.huaxianjing.com					
TITLE ID: 产品型号:	TFT023H008	VERSION ID: 版本号:	V.1	UNITS: 单位:	MM
DRAWN BY: 绘图:	TOM	CHECKED BY: 审核:		SCALE: 比例:	1:1
APPROVED BY: 批准:		Date: 日期:	2022.05.27	PAGE: 页码:	1/1