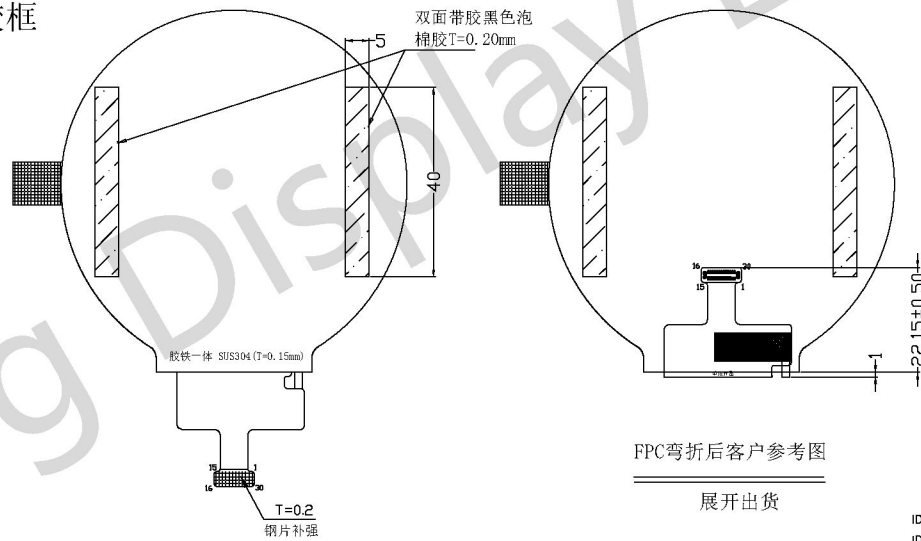
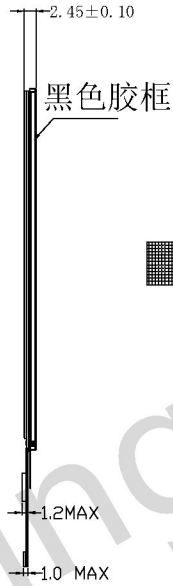
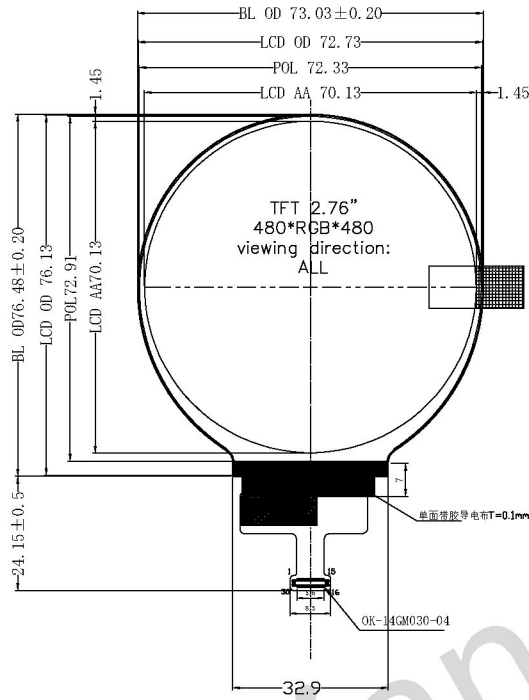


# 正视图

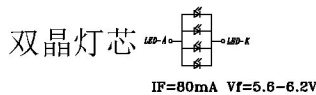
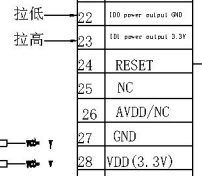
# 侧视图

# 背视图



FPC弯折后客户参考图  
展开出货

No.	Symbol
1	A
2	K
3	NC
4	NC
5	GND
6	NC
7	NC
8	GND
9	CLKN
10	CLKP
11	GND
12	MIPI_D1N
13	MIPI_D1P
14	GND
15	MIPI_D0N
16	MIPI_D0P
17	GND
18	VDD (3.3V)
19	VDD (3.3V)
20	NC
21	NC
22	100 power output GND
23	100 power output 3.3V
24	RESET
25	NC
26	AVDD/NC
27	GND
28	VDD (3.3V)
29	VDD (3.3V)
30	VCOM/NC



LCD型号/类型/分辨率	BOE2.76/IPS/480*480
视角方向	ALL
偏光片	IPS片0.15MM—上砂0° /下光90°
驱动IC	ST7701S
LED颗数/连接方式/电流	4-LED/4并/80mA
背光底色要求	

- 技术要求:
- 带\*尺寸为重点尺寸, 带()尺寸为参考尺寸
  - LCD切割断面崩边 ≤ 1/3 (单层LCD厚度)
  - 平面翘曲度 ≤ 0.35mm
  - 符合RoHS指令
  - 工作温度: -20°C ~ 70°C
  - 储存温度: -30°C ~ 80°C
  - 建议TP V. A开窗比LCD A. A单边大0.4mm
  - 泡棉开窗比LCD A. A单边大0.3mm

PART DESCRIPTION					LCM		HUA XIAN JING Display Limited www.huaxianjing.com				
DESIGNED					UNIT	SCALE	3rd ANGLE	SIZE	SHEET NUMBER		
CHECKED					mm	1.00		A4	1 of 1		
APPROVED					PART NUMBER					DRAWING REV.	
REV	SIGN	DESCRIPTION	PIC	DATE	MODEL NAME	TFT276B009				A	
										PART NUMBER VER.	
										N/A	