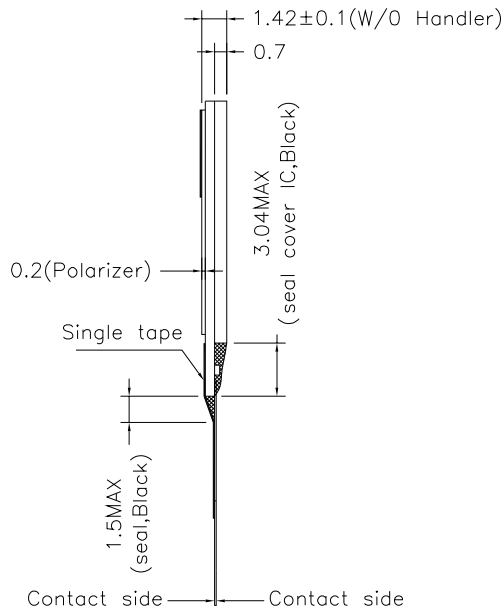
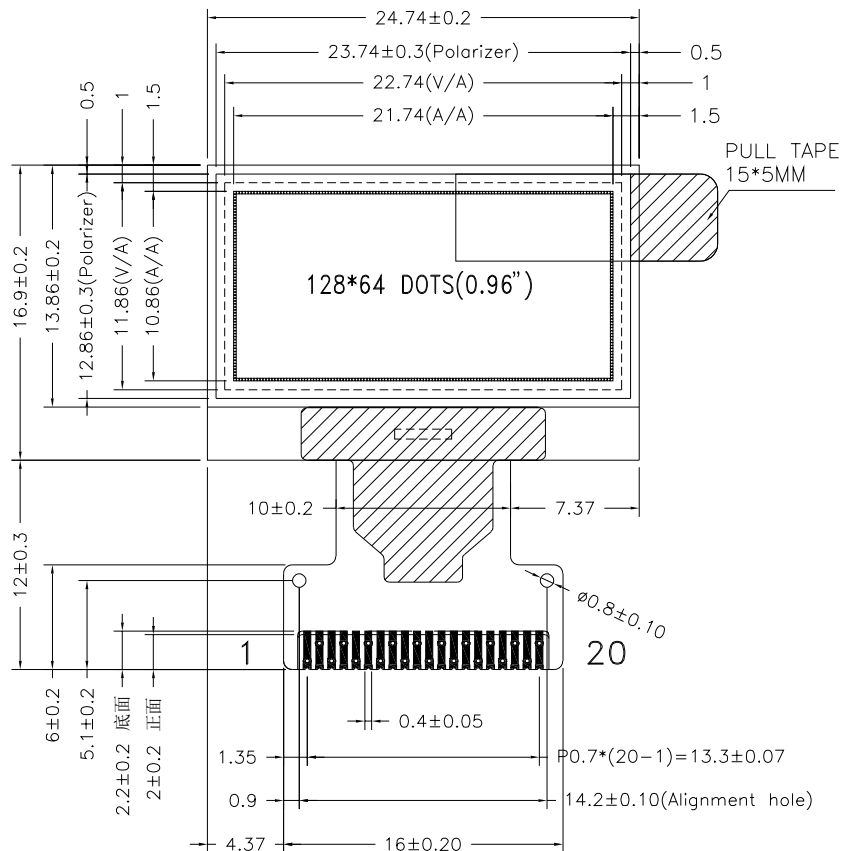


All Pages Of This Edition Approved

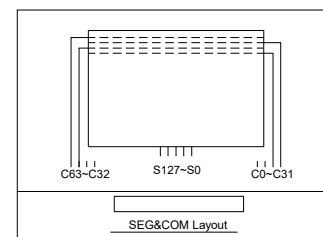
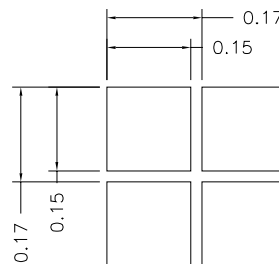
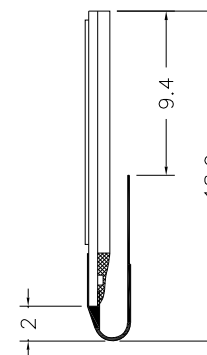
Signature: _____

Date: _____

REV.	DESCRIPTION	REVISER	DATE
A0	First	luoyu	2017-08-26



Reference Only



PIN	SYMBOL
1	C2N
2	C2P
3	C1P
4	C1N
5	VBAT
6	VCC
7	VSS
8	VDD
9	BS0
10	BS1
11	CS#
12	RES#
13	D/C#
14	D0
15	D1
16	D2
17	IREF
18	VCOMH
19	VCC
20	VLSS

Specifications:

1. Display : OLED(White).
2. Dot Matrix: 128*64
3. Dot Size: 0.15*0.15mm
4. Dot Pitch: 0.17*0.17mm
5. Aperture Rate: 78%
6. Active Area : 21.74*10.86mm
7. Drive IC: SSD1315Z
8. With " * " Mark Dimensions Are Important Dimensions.



深圳市华显晶显示技术有限公司

HUA XIAN JING Display Limited

www.huaxianjing.com

Unspecified Tolerance:	±0.20	UNITS: mm	DATE:	MODEL NUMBER :		SHEET:	1 OF 1
DESIGN BY:	luoyu	2017-08-26	CHECKED BY:	luojinwei		2017-08-26	SCALE:
APPROVED BY:				DO NOT SCALE THIS DRAWING.	PROJECTION		