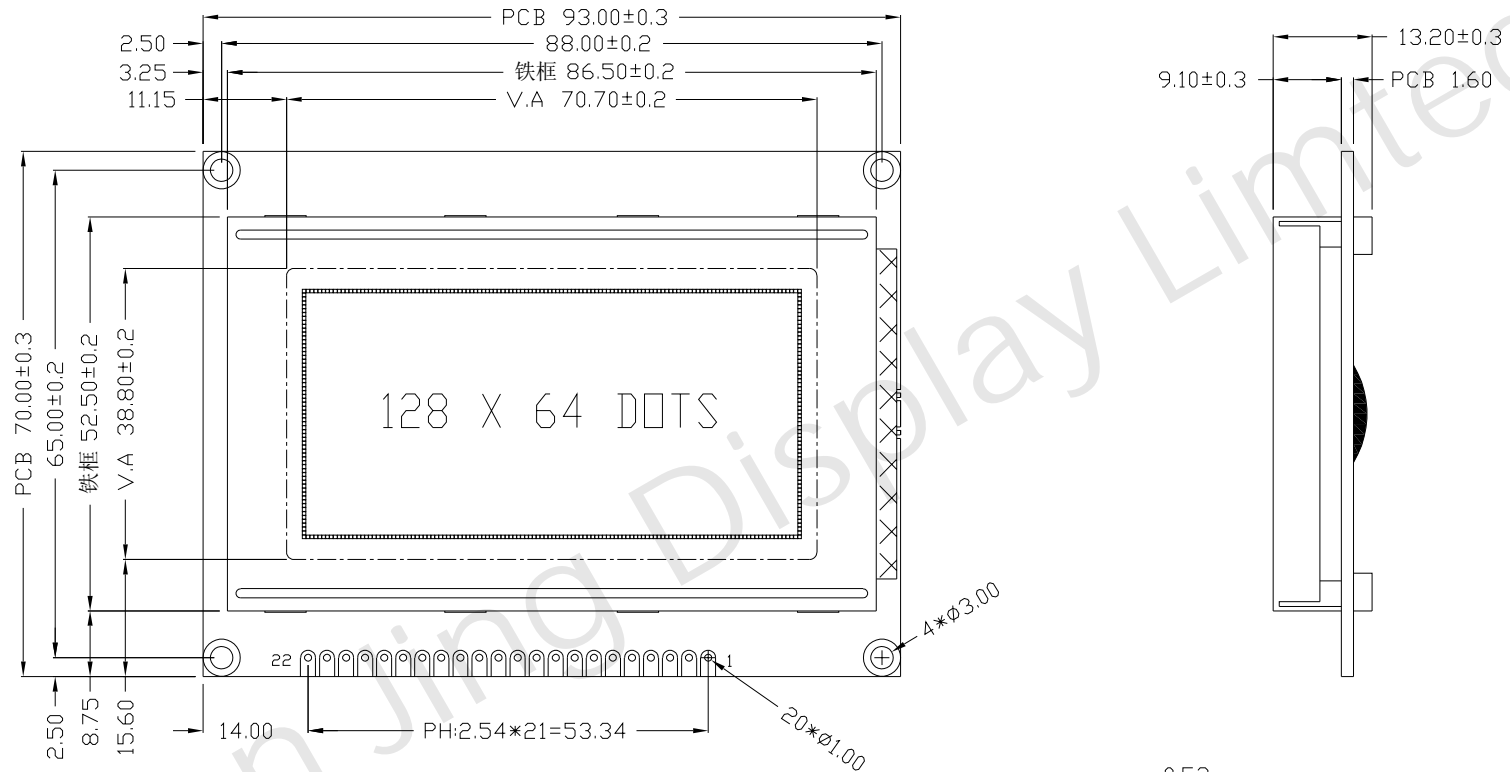


IF	SOMBLE
1	/CS1(L)
2	/CS2(L)
3	GND
4	VDD
5	V0
6	RS
7	RW
8	E
9	DB0
10	DB1
11	DB2
12	DB3
13	DB4
14	DB5
15	DB6
16	DB7
17	CS1(H)
18	CS2(H)
19	/REST
20	VOU
21	LED-A(+5V)
22	LED-K

VER	DETIAL DISCIPTION	DATE
00	FIRST ISSUE	2011-10-7



SPECIFICATION:

- 1).STN(Y-G)/POSTIVE/TRANSFLECTIVE
- 2).DUTY:1/64, BIAS:1/9, VDP=10.5V
- 3).VIEWING ANGLE: 6 O'CLOCK
- 4).DRIVE VOLTAGE: 5.0V
- 5).OPERATING TEMPERATURE: -20~70°C  
STORAGE TEMPERATURE: -30~80°C
- 6).BACKLIGHT: Y-G I=80MA
- 7).DRIVE IC: AIP31108



深圳市华显晶显示技术有限公司

HUA XIAN JING Display Limited www.huaxianjing.com

Unspecified Tolerance:	±0.20	UNITS: mm	DATE:	MODE NUMBER :		SHEET:	1 Of 1
DESIGN BY:	WZQ	2011/10/7		HSM12864J-2		DATE:	2011/10/7
CHECKED BY:				DO NOT SCALE THIS DRAWING.	PROJECTION		
CUSTOM NO:							