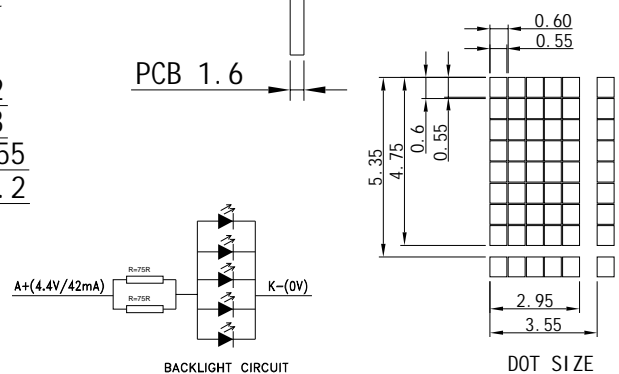
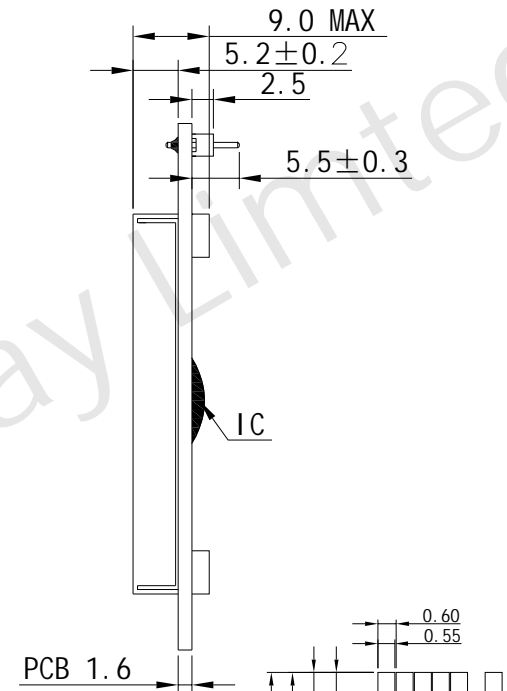
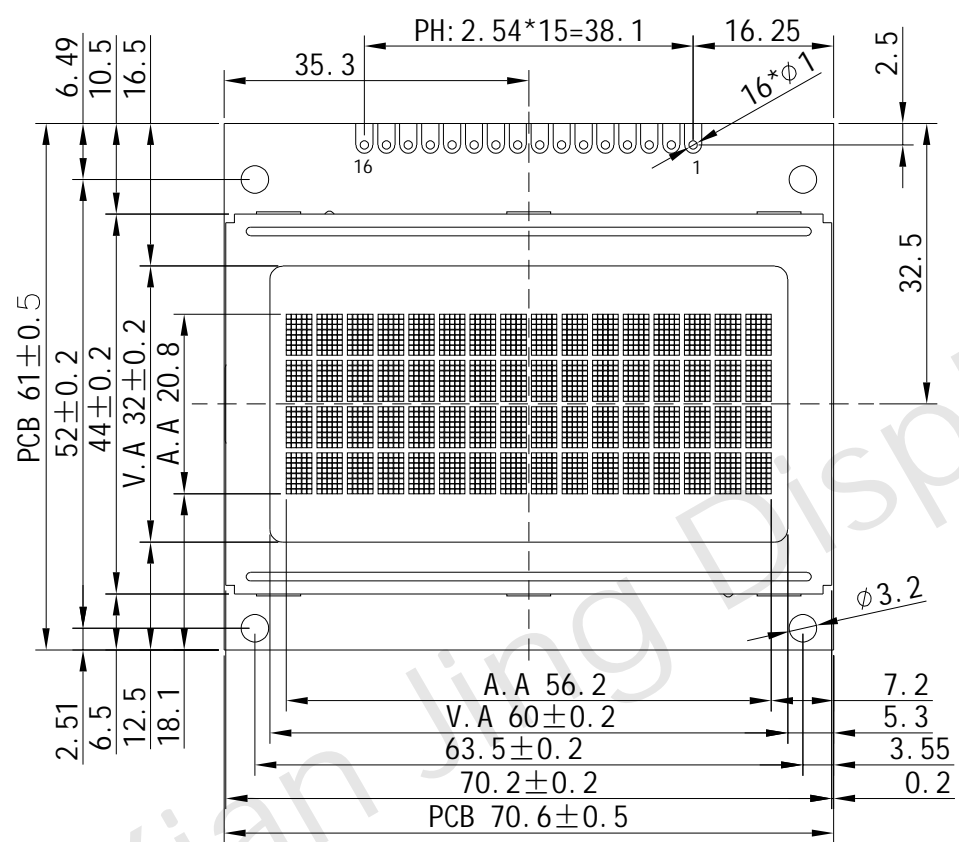


INTERFACE	
1	VSS
2	VDD
3	NC
4	RS
5	R/W
6	E
7	DB0
8	DB1
9	DB2
10	DB3
11	DB4
12	DB5
13	DB6
14	DB7
15	LED_A(4.2V)
16	LED_K

VER	DETIAL DISCRPTION	DATE
00	FIRST ISSUE	2017-7-11
01	增加排针	2017-9-7



LED灯的参数: 电压: 2.9-3.0V, 电流: 20mA

**SPECIFICATION:**

- 1). STN(Y-G) /POSITIVE/TRANSFLECTIVE
- 2). DUTY: 1/16. BIAS: 1/5. VOP=4.8V
- 3). VIEWING ANGLE: 6 O' CLOCK
- 4). OPERATING TEMPERATURE: -30~80°C  
STORAGE TEMPERATURE: -35~85°C
- 5). BACKLIGHT: 5PCS SIDE Y-G LED V=4.2v I=50mA
- 6). DRIVE IC: ST7066U-0B+ST7065
- 7). DRIVE POWER: VDD=3.3V



**深圳市华显晶显示技术有限公司**

**HUA XIAN JING Display Limited**

www.huaxianjing.com

Unspecified Tolerance: ±0.20	UNITS: mm	DATE: 2017/7/11	MODE NUMBER : HSM1604I		SHEET: 1 Of 1
DESIGN BY: WZQ	CHECKED BY:	CUSTOM NO:	DO NOT SCALE THIS DRAWING.		DATE: 2017/7/11